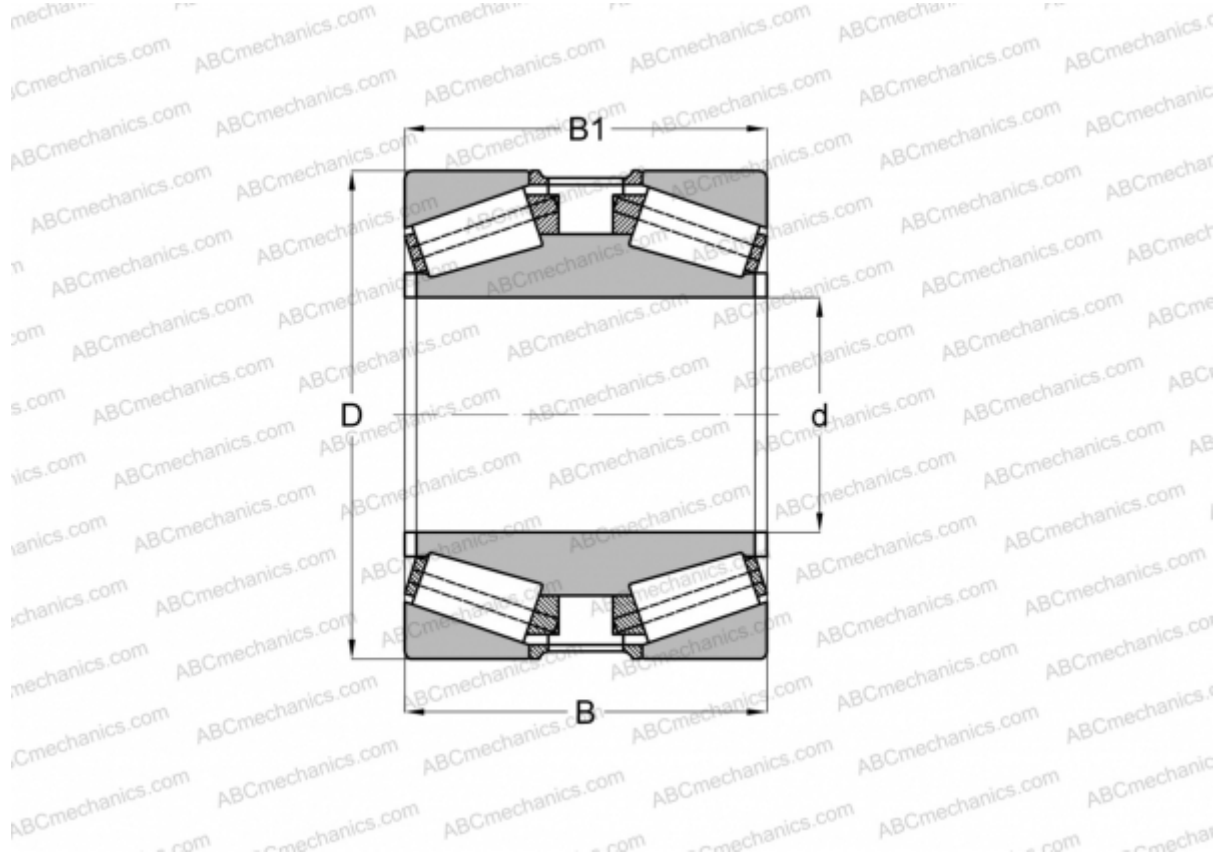


M278749DW.710 TIMKEN

Tapered roller bearings

TYPE: Roller bearings, Tapered, Double row, For loose fit on the roll neck, design 3 (FAG)



Technical specification

DIMENSIONS, MM

d	571,500
D	812,800
B	285,750
B1	285,750

WEIGHT, KG 505,000

MANUFACTURER [TIMKEN](#)

INTERCHANGE

FAG [543718](#)