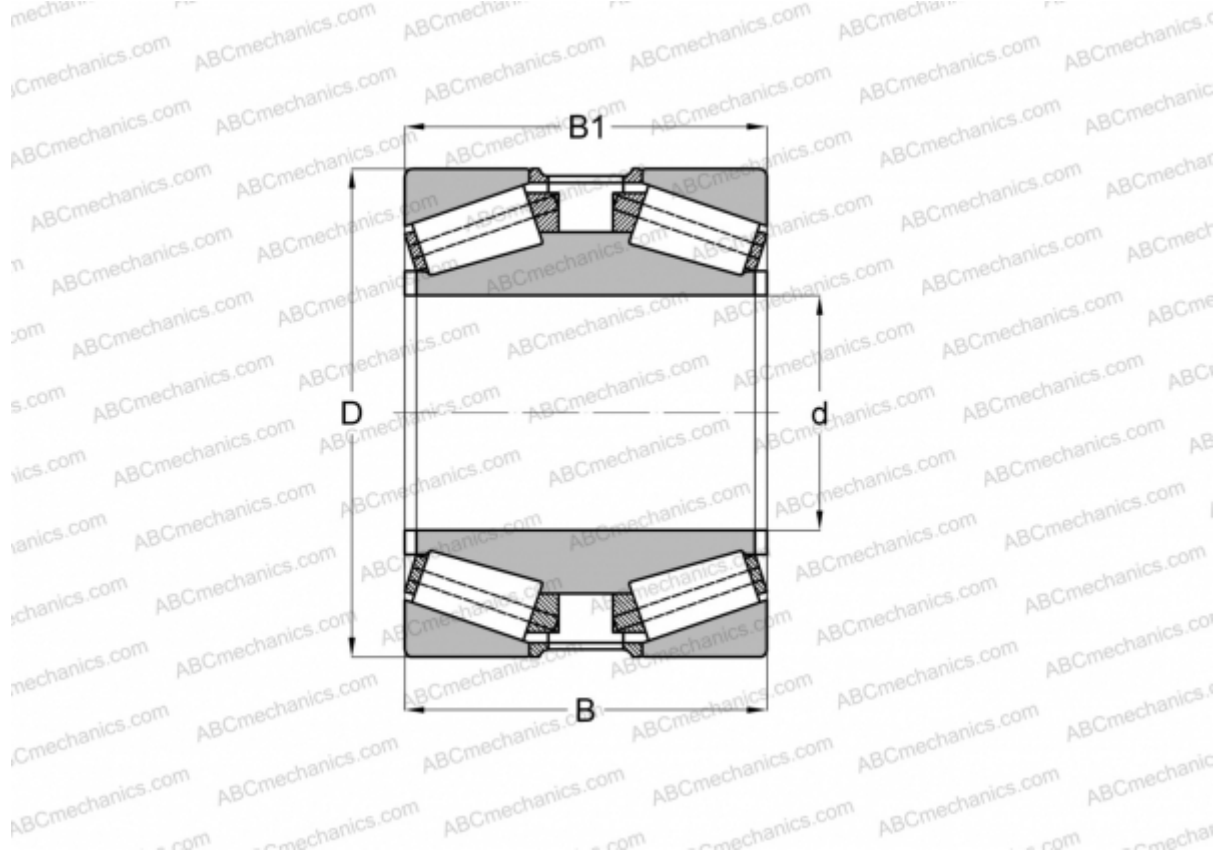


528269 FAG

Tapered roller bearings

TYPE: Roller bearings, Tapered, Double row, For loose fit on the roll neck, design 3 (FAG)



Technical specification

DIMENSIONS, MM

d	600,000
D	1000,000
B	350,000
B1	350,000

WEIGHT, KG 1150,000

MANUFACTURER [FAG](#)