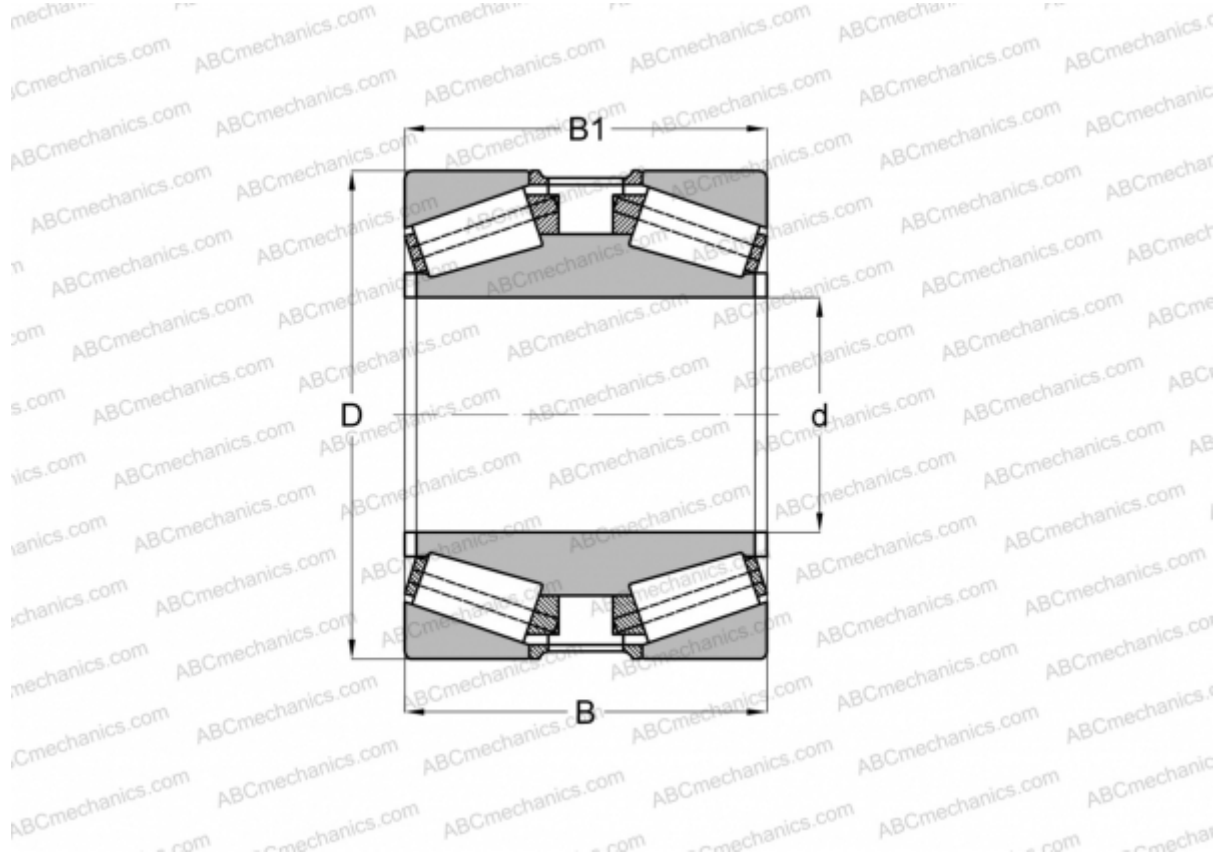


M281649D.610 TIMKEN

Tapered roller bearings

TYPE: Roller bearings, Tapered, Double row, For loose fit on the roll neck, design 3 (FAG)



Technical specification

DIMENSIONS, MM

d	657,225
D	933,450
B	328,613
B1	328,613

WEIGHT, KG 735,000

MANUFACTURER [TIMKEN](#)

INTERCHANGE

FAG [515897A](#)