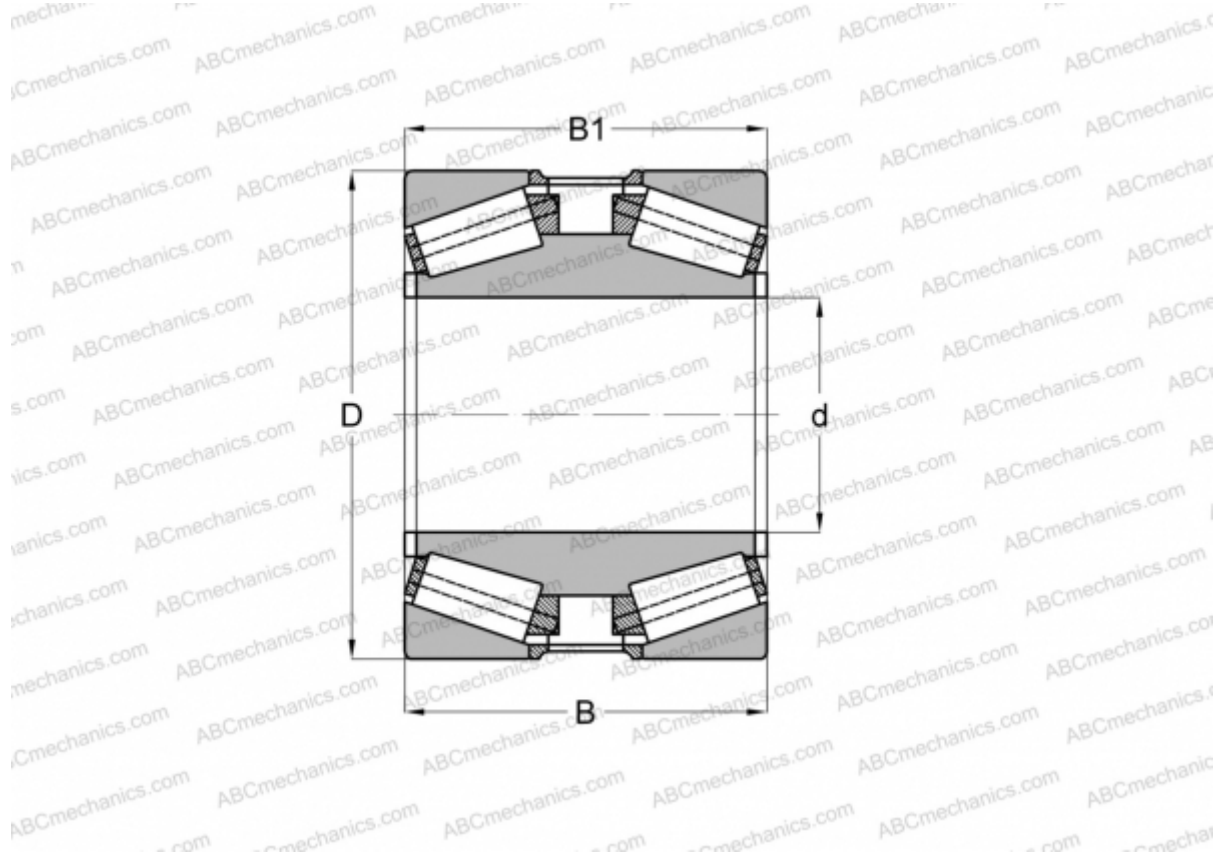


524770 FAG

Tapered roller bearings

TYPE: Roller bearings, Tapered, Double row, For loose fit on the roll neck, design 3 (FAG)



Technical specification

DIMENSIONS, MM

d	825,500
D	1168,400
B	409,575
B1	409,575

WEIGHT, KG 1436,000

MANUFACTURER [FAG](#)

INTERCHANGE

TIMKEN [M285848D.810](#)