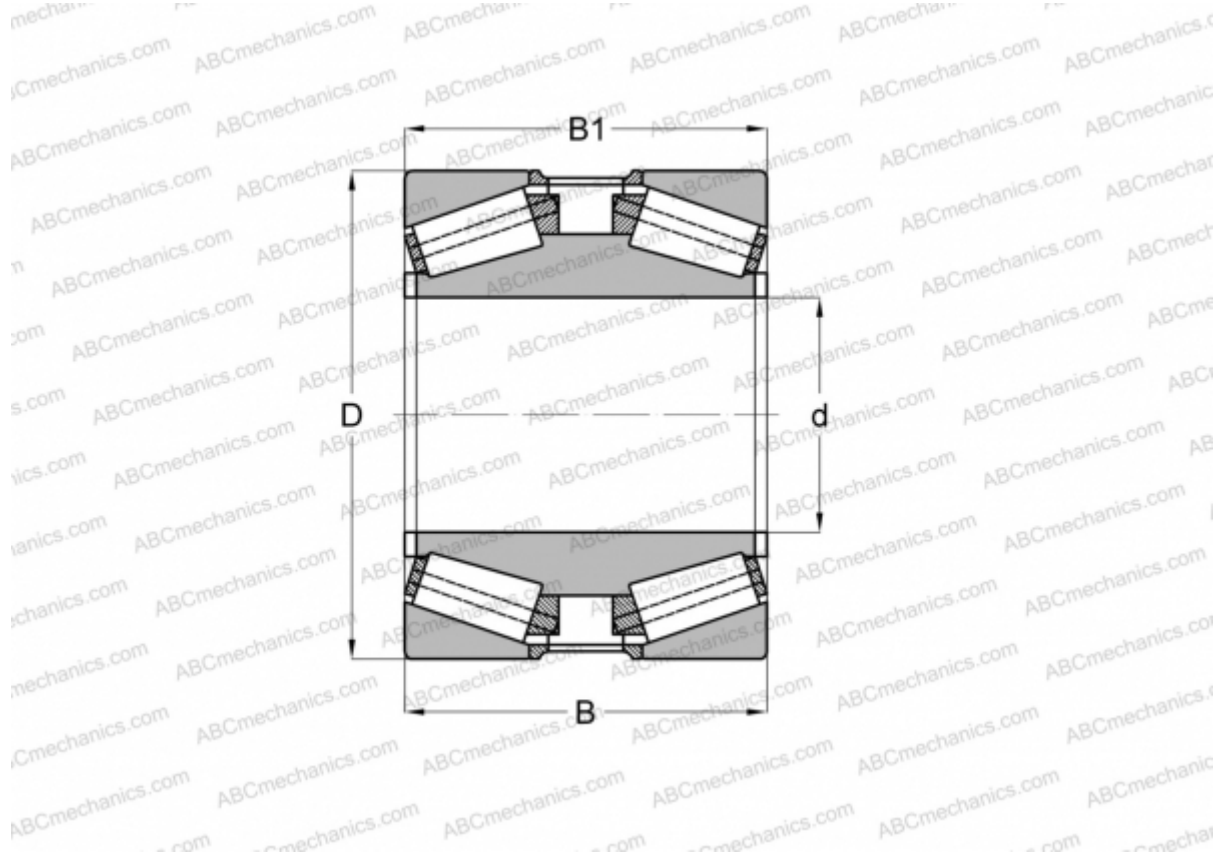


539945 FAG

Tapered roller bearings

TYPE: Roller bearings, Tapered, Double row, For loose fit on the roll neck, design 3 (FAG)



Technical specification

DIMENSIONS, MM

d	901,700
D	1295,400
B	450,850
B1	438,150

WEIGHT, KG 2000,000

MANUFACTURER [FAG](#)

INTERCHANGE

TIMKEN [EE634356D.510](#)