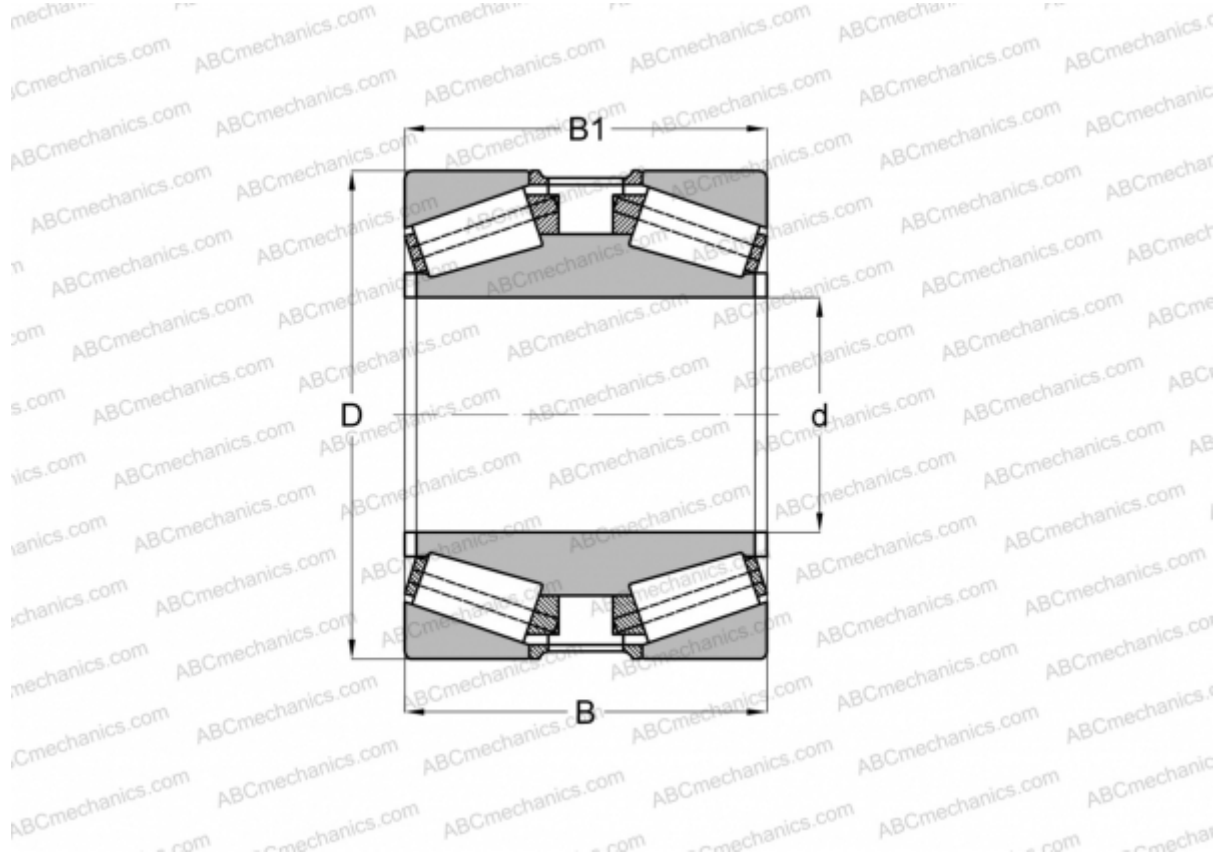


521872 FAG

Tapered roller bearings

TYPE: Roller bearings, Tapered, Double row, For loose fit on the roll neck, design 3 (FAG)



Technical specification

DIMENSIONS, MM

| | |
|----|----------|
| d | 939,800 |
| D | 1333,500 |
| B | 463,550 |
| B1 | 463,550 |

WEIGHT, KG 2170,000

MANUFACTURER [FAG](#)

INTERCHANGE

TIMKEN [LM287849DW.810](#)