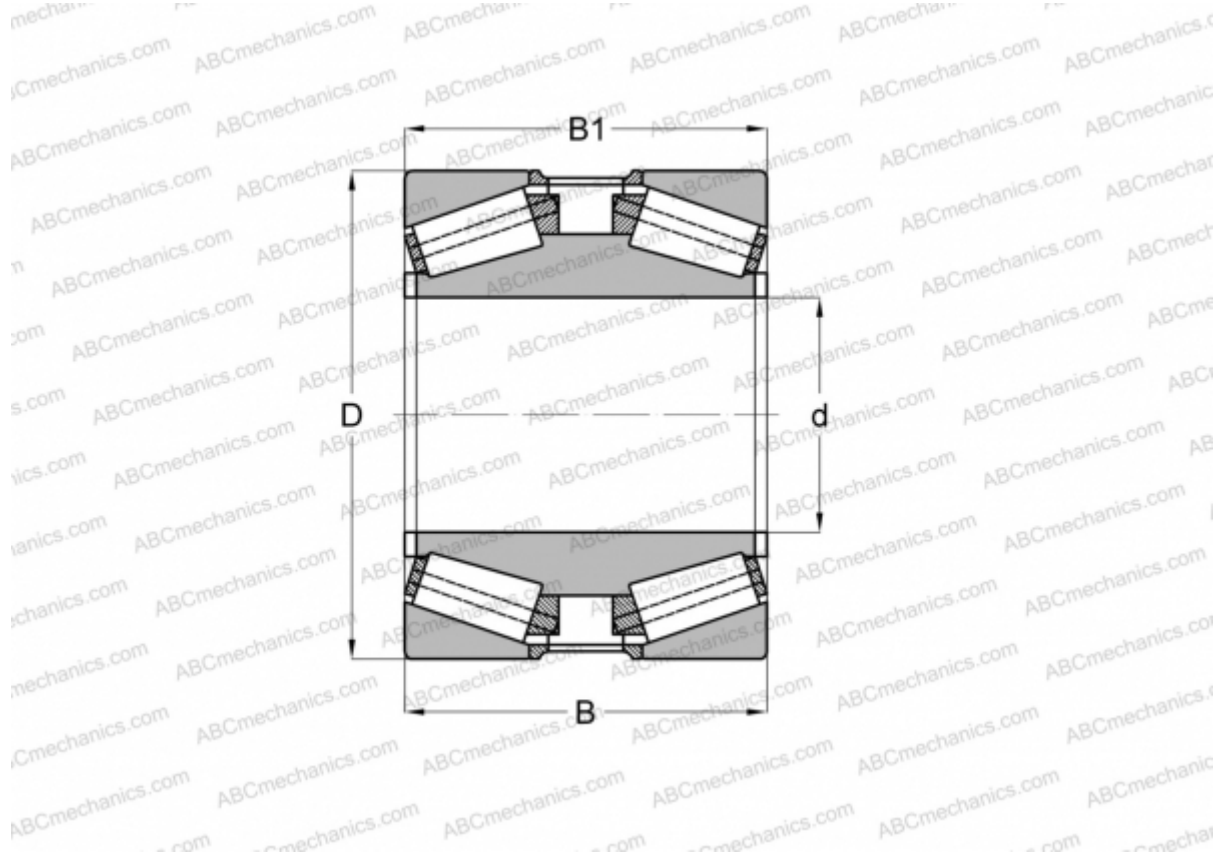


LM287849DW.810 TIMKEN

Tapered roller bearings

TYPE: Roller bearings, Tapered, Double row, For loose fit on the roll neck, design 3 (FAG)



Technical specification

DIMENSIONS, MM

d	939,800
D	1333,500
B	463,550
B1	463,550

WEIGHT, KG 2170,000

MANUFACTURER [TIMKEN](#)

INTERCHANGE

FAG	521872
-----	------------------------