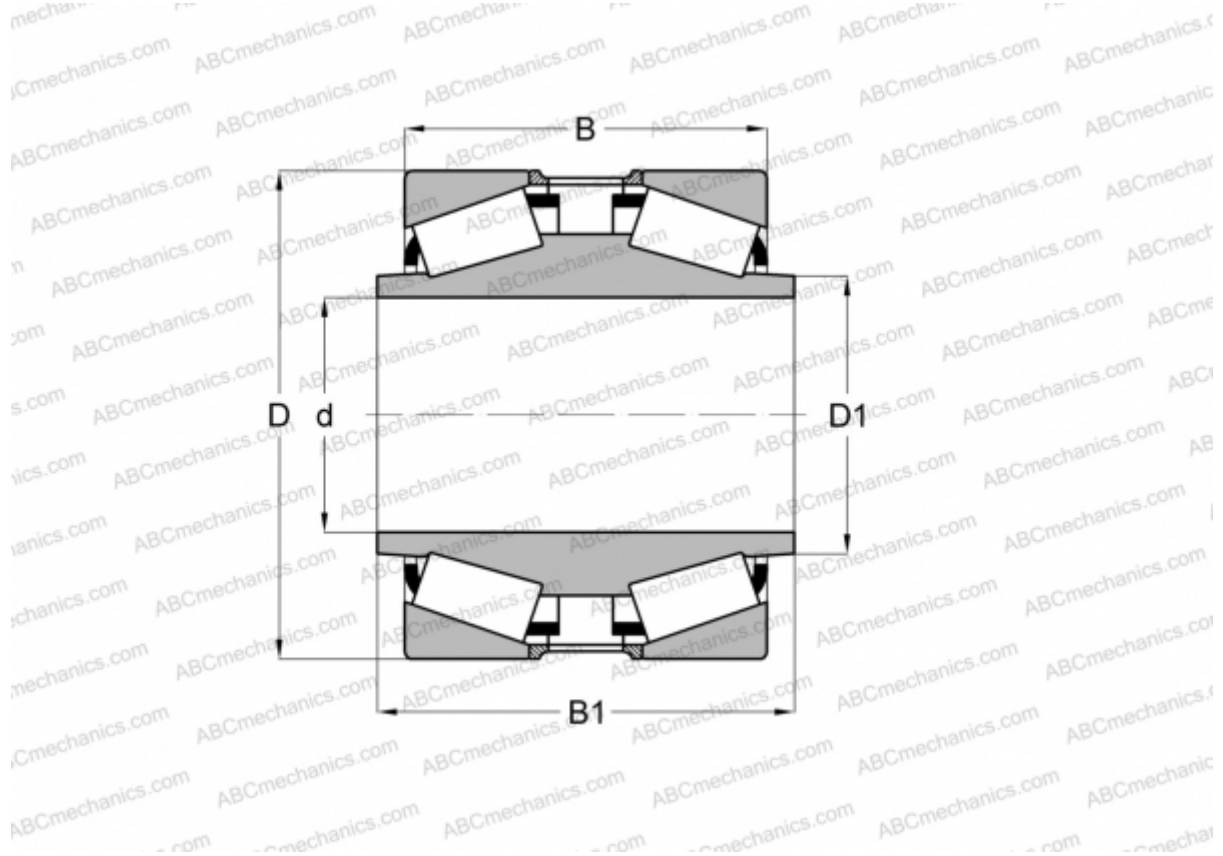


563390 FAG

Tapered roller bearings

TYPE: Roller bearings, Tapered, Double row, With extended cones, design 1 (FAG)



Technical specification

DIMENSIONS, MM

d	215,900
D	317,500
D1	238,125
B	125,000
B1	175,000

MANUFACTURER

[FAG](#)