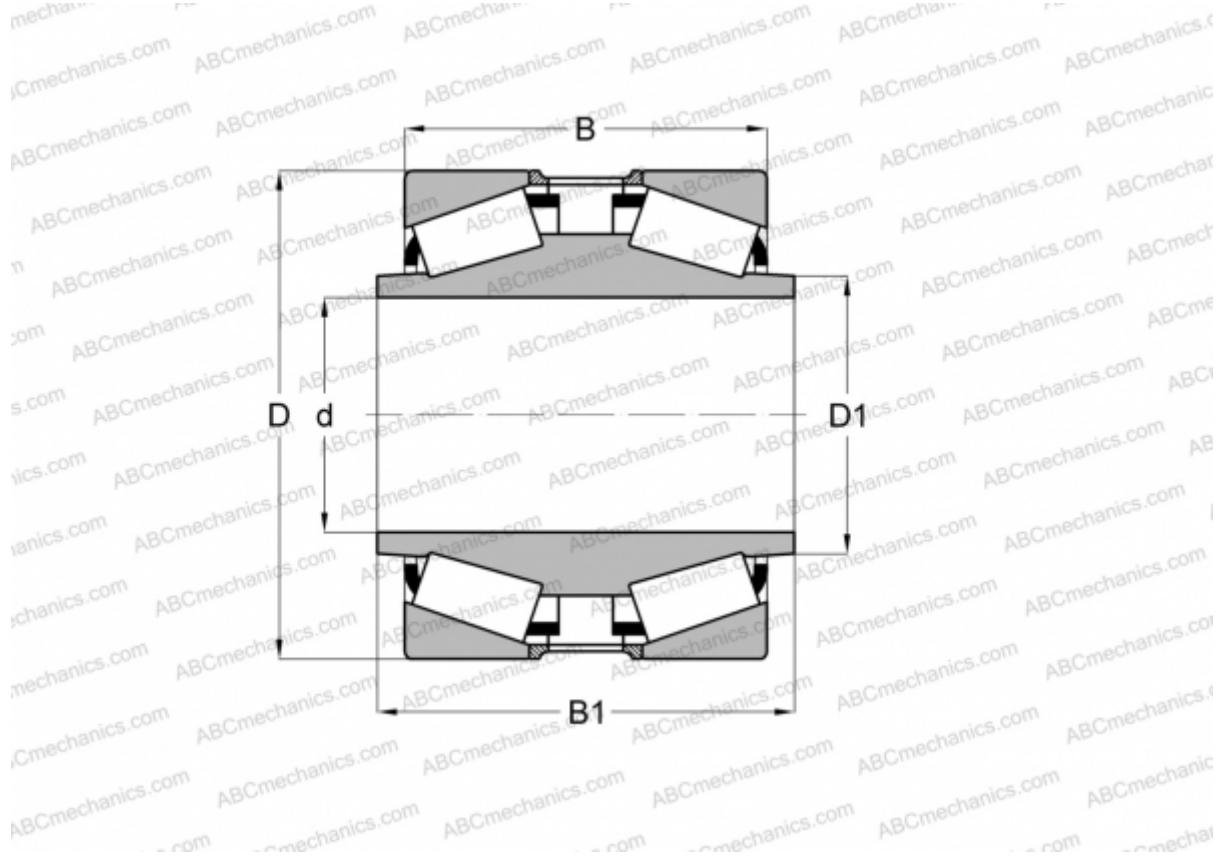


548242 FAG

Tapered roller bearings

TYPE: Roller bearings, Tapered, Double row, With extended cones, design 1 (FAG)



Technical specification

DIMENSIONS, MM

d	333,375
D	469,900
D1	355,600
B	166,688
B1	231,775

WEIGHT, KG 100,000

MANUFACTURER [FAG](#)