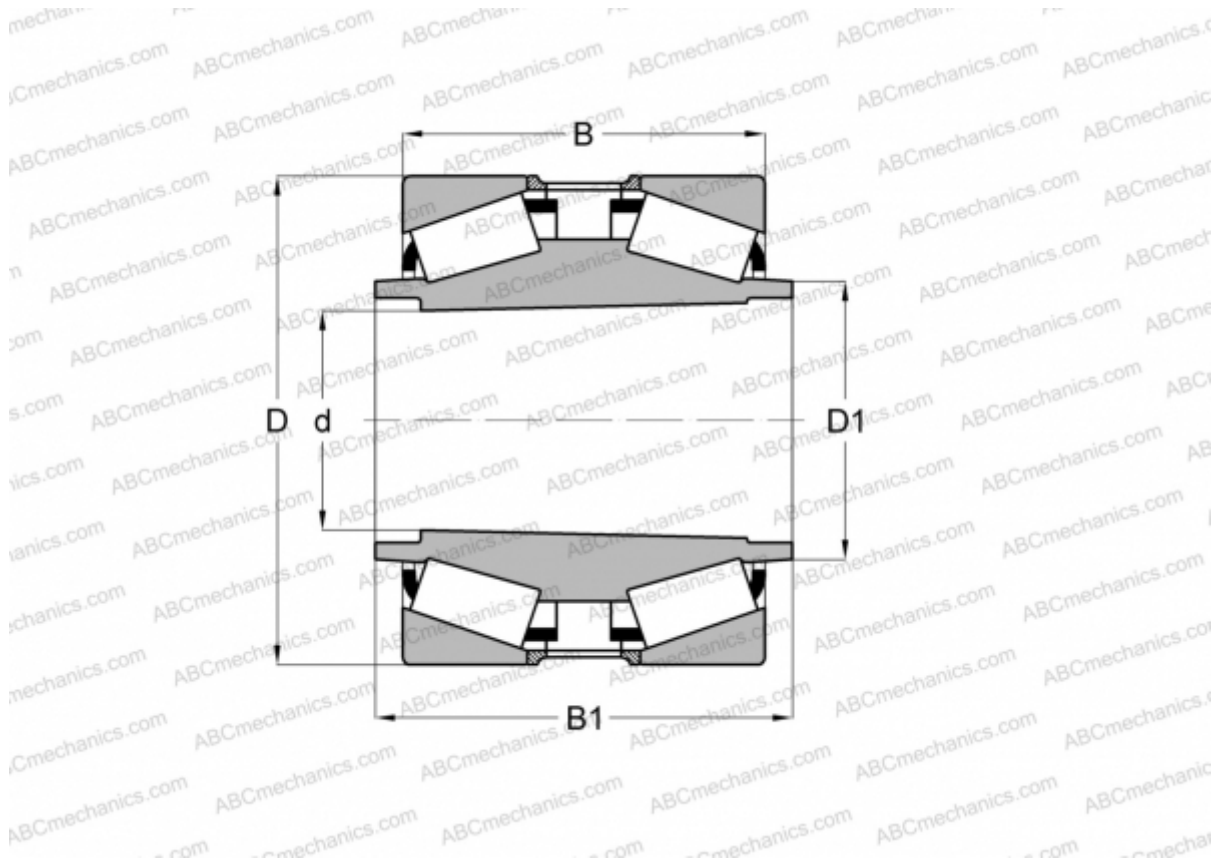


543067 FAG

Tapered roller bearings

TYPE: Roller bearings, Tapered, Double row, With extended cones, tapered bore (1:12), design 2 (FAG)



Technical specification

DIMENSIONS, MM

| | |
|----|---------|
| d | 152,400 |
| D | 254,000 |
| D1 | 177,800 |
| B | 120,650 |
| B1 | 179,370 |

WEIGHT, KG 28,000

MANUFACTURER [FAG](#)