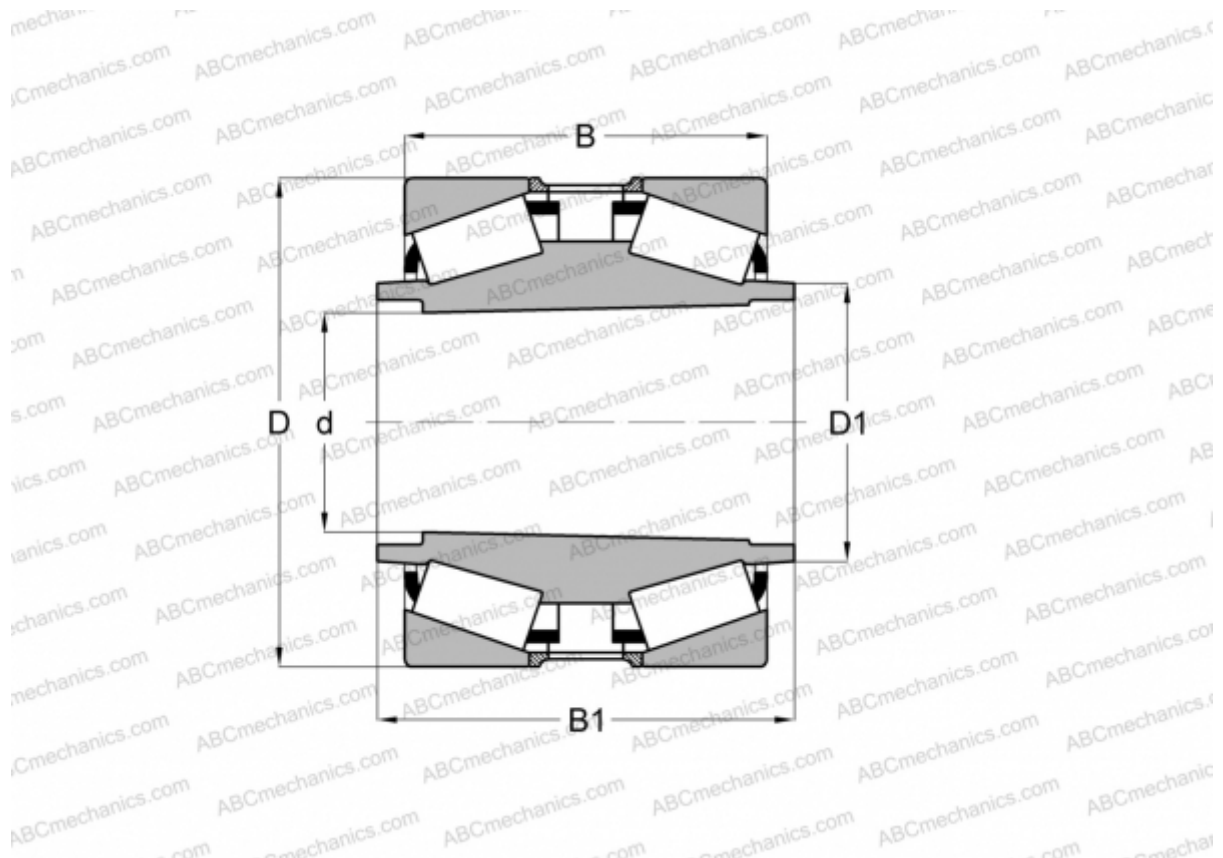


## 575387 FAG

Tapered roller bearings

TYPE: Roller bearings, Tapered, Double row, With extended cones, tapered bore (1:12), design 2 (FAG)



### Technical specification

#### DIMENSIONS, MM

d	187,325
D	269,875
D1	202,184
B	101,600
B1	139,700

**WEIGHT, KG** 20,000

**MANUFACTURER** [FAG](#)