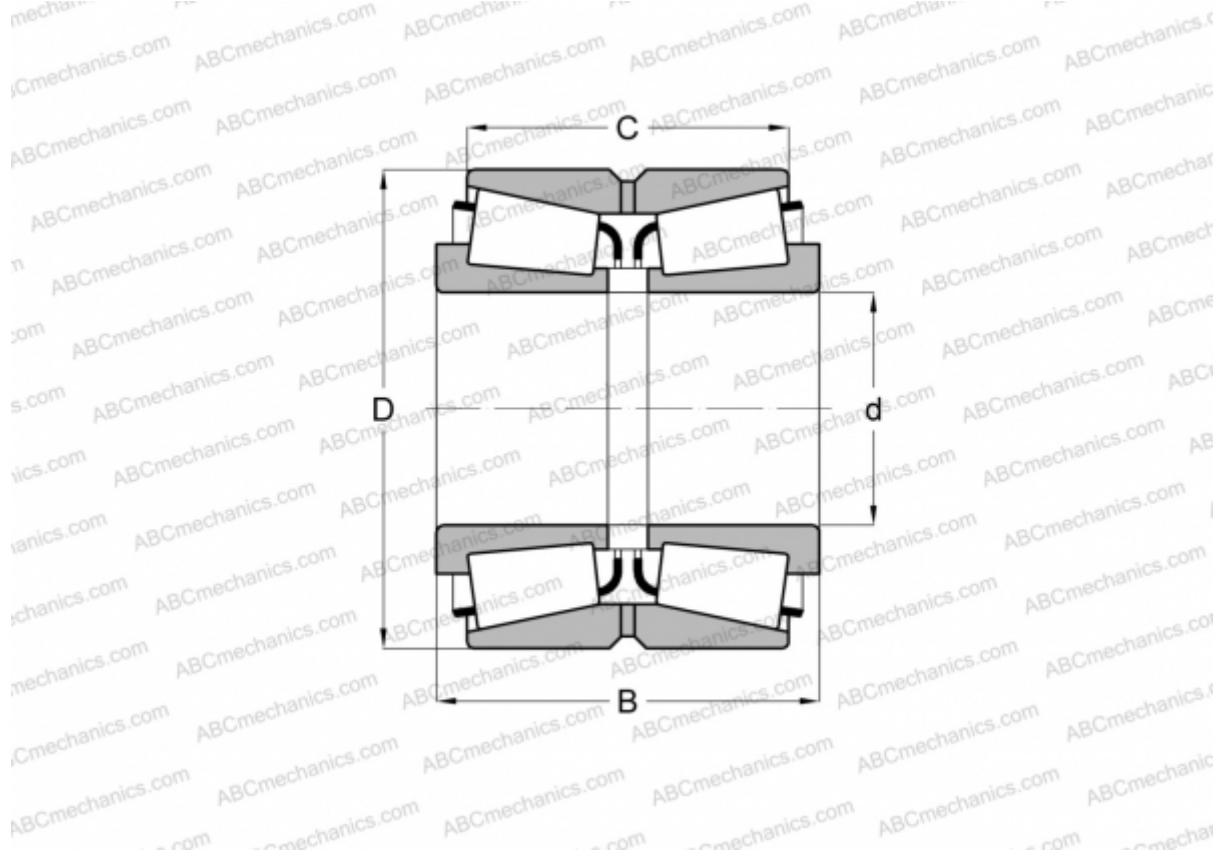


518468 FAG

Tapered roller bearings

TYPE: Roller bearings, Tapered, Double row, O-arrangement, inch size, design 1 (FAG)



Technical specification

DIMENSIONS, MM

d	228,600
D	355,600
B	152,400
C	111,125

WEIGHT, KG 53,600

MANUFACTURER [FAG](#)

INTERCHANGE

TIMKEN [130902.131401D](#)