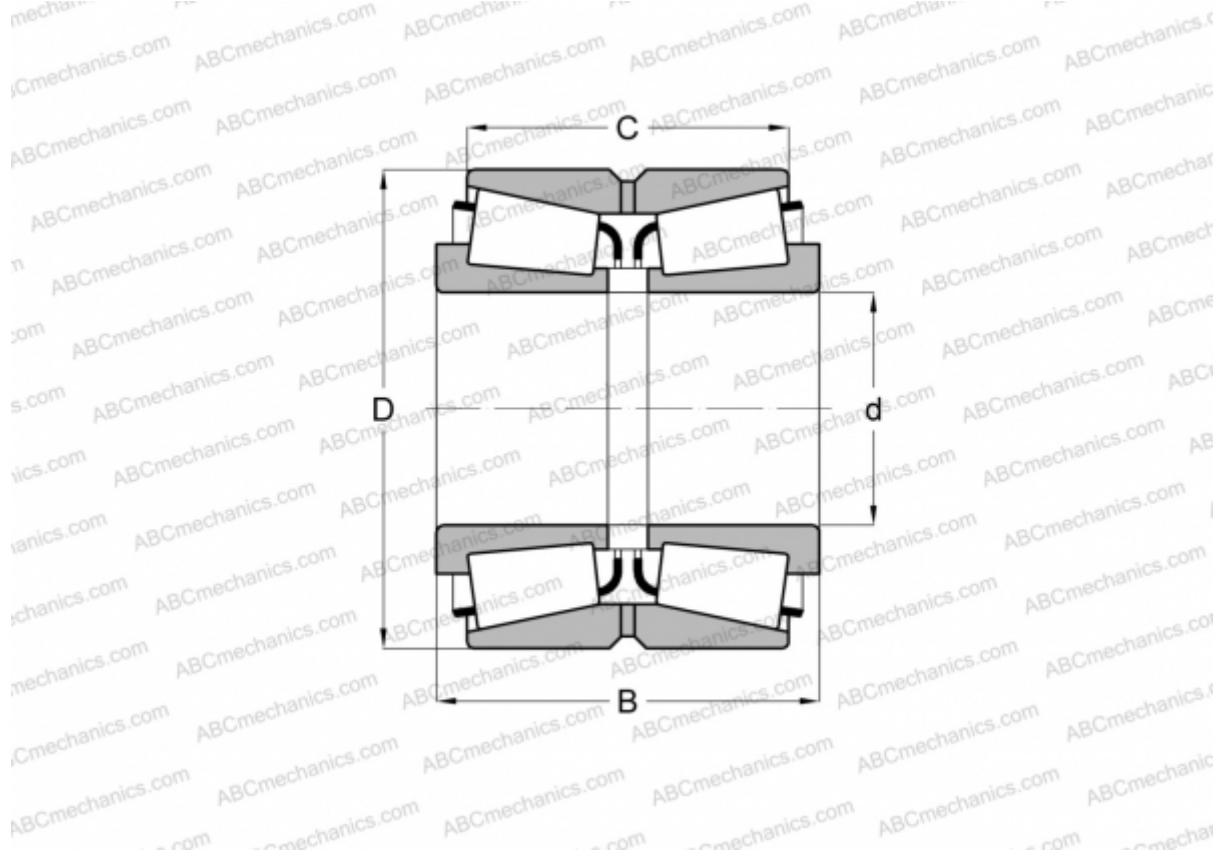


## HH953749.710D TIMKEN

Tapered roller bearings

TYPE: Roller bearings, Tapered, Double row, O-arrangement, inch size, design 1 (FAG)



### Technical specification

#### DIMENSIONS, MM

d	254,000
D	533,400
B	276,225
C	165,100

**WEIGHT, KG** 259,000

**MANUFACTURER** [TIMKEN](#)

#### INTERCHANGE

FAG [515129](#)