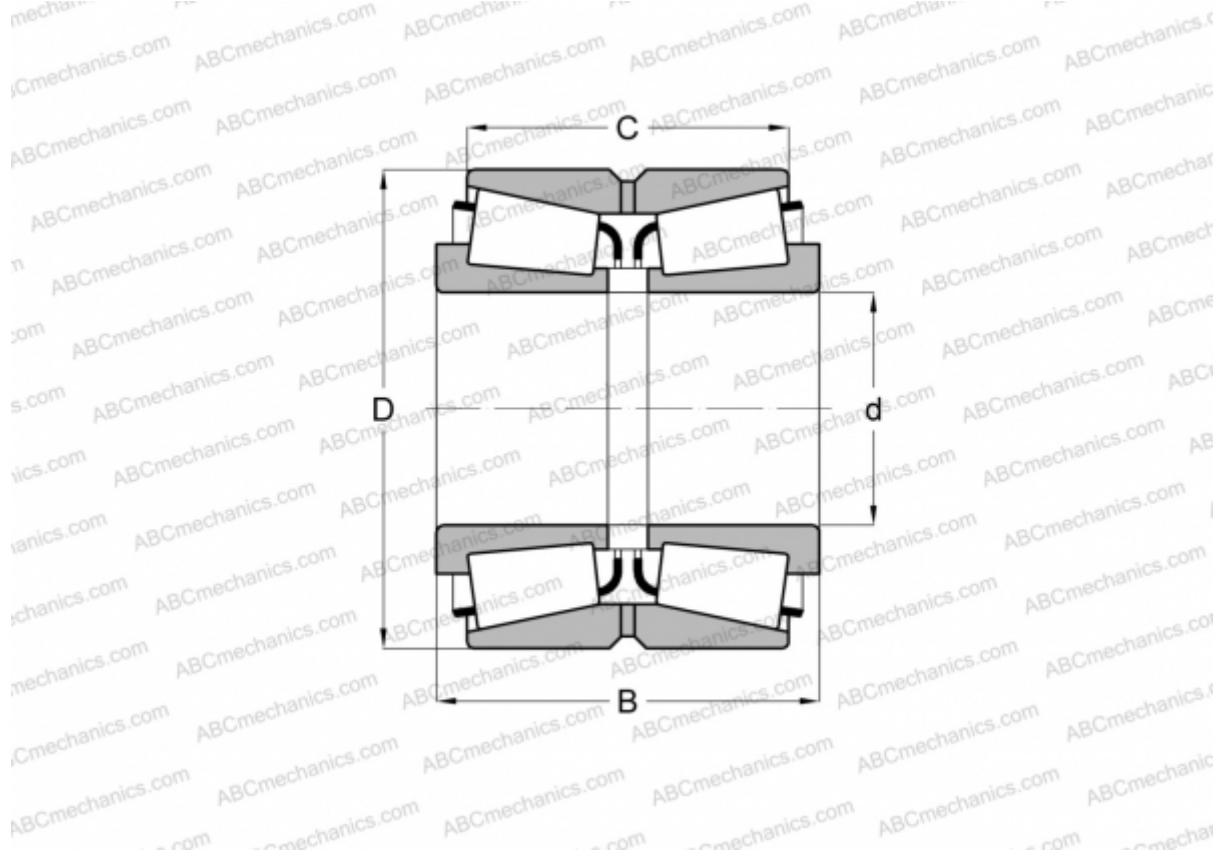


## HM256849.810D TIMKEN

Tapered roller bearings

TYPE: Roller bearings, Tapered, Double row, O-arrangement, inch size, design 1 (FAG)



### Technical specification

#### DIMENSIONS, MM

d	300,038
D	422,275
B	174,625
C	136,525

**WEIGHT, KG** 72,100

**MANUFACTURER** [TIMKEN](#)

#### INTERCHANGE

FAG [526864](#)