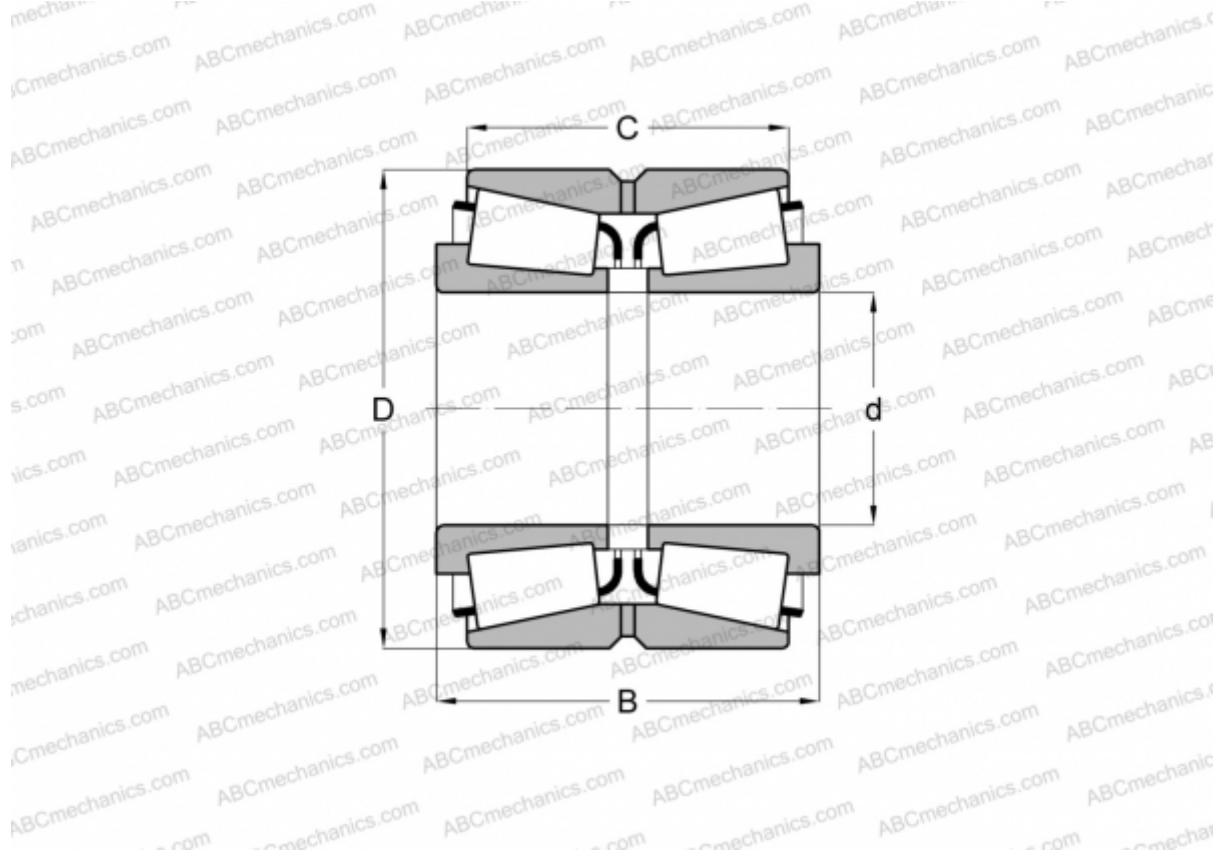


LL686947.910D TIMKEN

Tapered roller bearings

TYPE: Roller bearings, Tapered, Double row, O-arrangement, inch size, design 1 (FAG)



Technical specification

DIMENSIONS, MM

d	914,400
D	1066,800
B	139,700
C	101,600

WEIGHT, KG 191,000

MANUFACTURER [TIMKEN](#)

INTERCHANGE

FAG [512406](#)