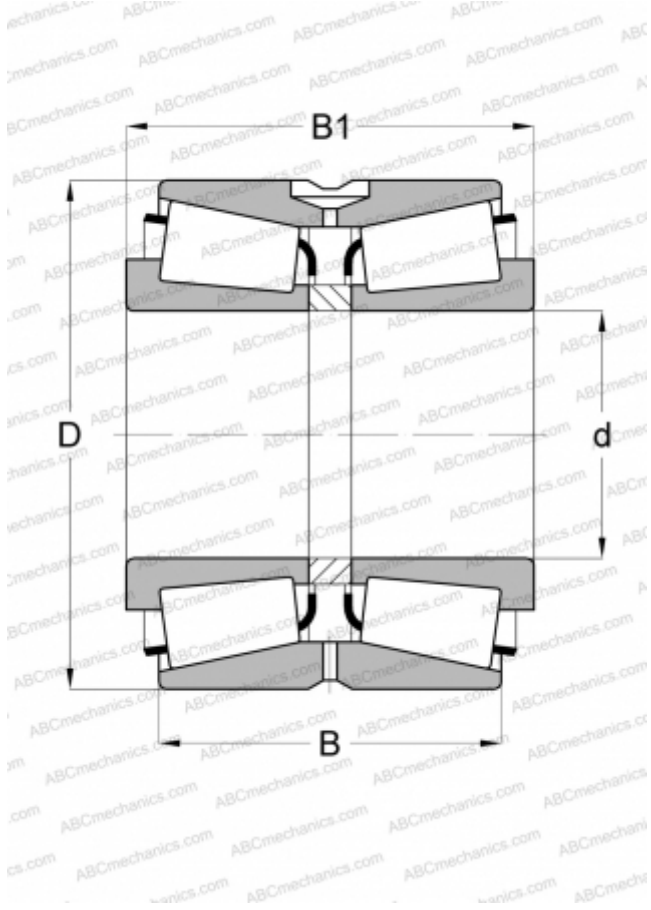


523062 FAG

Tapered roller bearings

TYPE: Roller bearings, Tapered, Double row, O-arrangement, inch size, design 2 (FAG)



Technical specification

DIMENSIONS, MM

d	206,375
D	336,550
B	211,138
C	169,862

WEIGHT, KG

69,300

MANUFACTURER

[FAG](#)

INTERCHANGE

TIMKEN

[H242649.610CD](#)