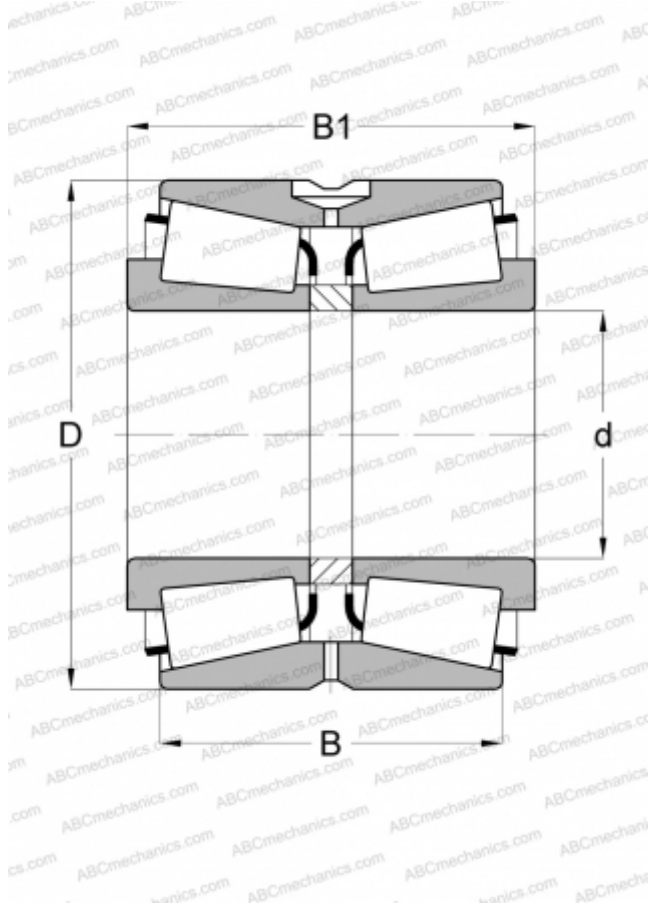


515125 FAG

Tapered roller bearings

TYPE: Roller bearings, Tapered, Double row, O-arrangement, inch size, design 2 (FAG)



Technical specification

DIMENSIONS, MM

d	228,600
D	488,950
B	254,000
C	152,400

WEIGHT, KG

205,000

MANUFACTURER

[FAG](#)

INTERCHANGE

TIMKEN

[HH949549.510CD](#)