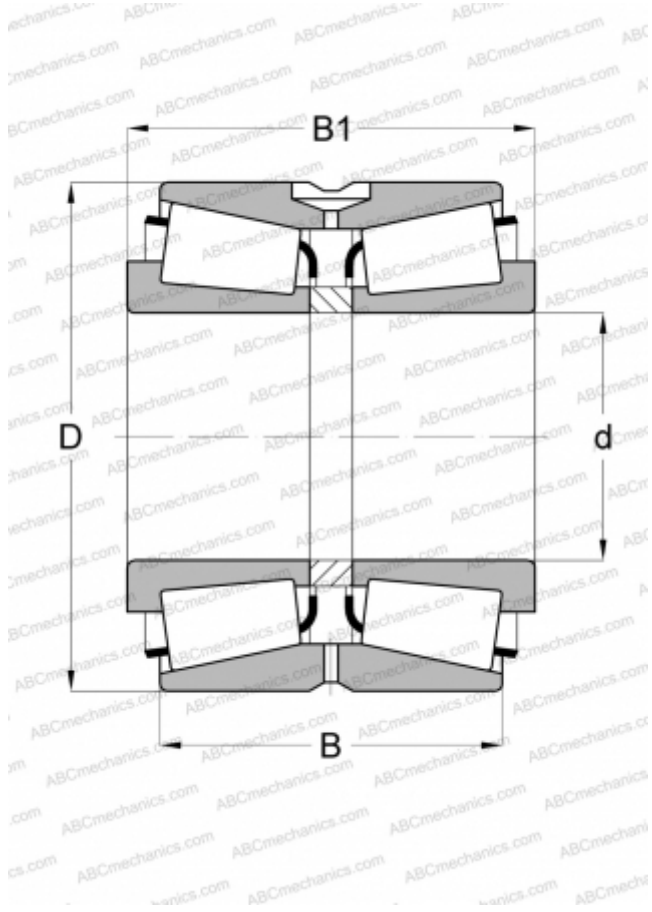


## 505612 FAG

Tapered roller bearings

TYPE: Roller bearings, Tapered, Double row, O-arrangement, inch size, design 2 (FAG)



### Technical specification

#### DIMENSIONS, MM

d	254,000
D	358,775
B	152,400
C	117,475

#### WEIGHT, KG

44,200

#### MANUFACTURER

[FAG](#)

#### INTERCHANGE

TIMKEN

[M249749.710CD](#)