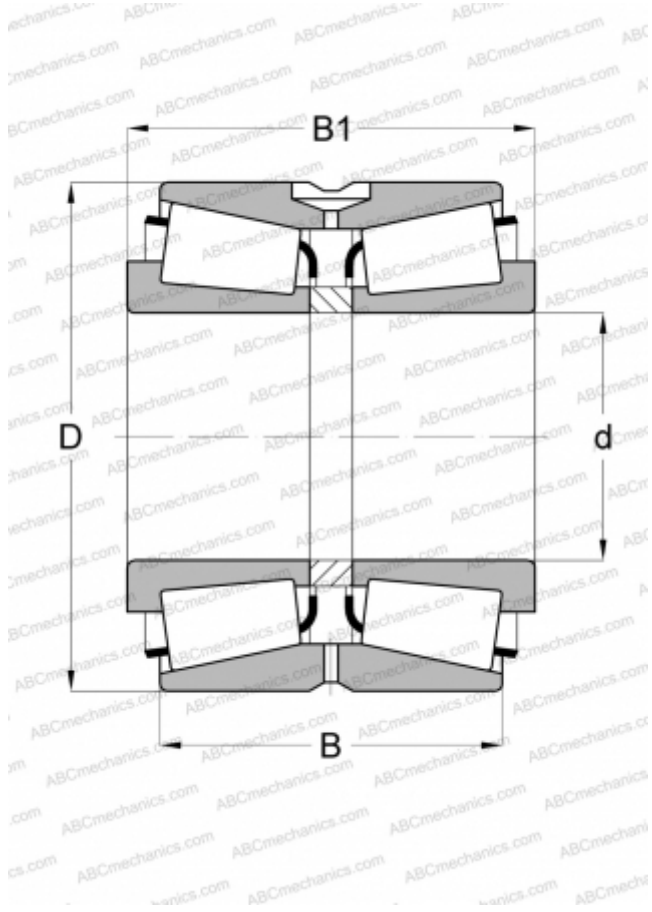


M249749.710CD TIMKEN

Tapered roller bearings

TYPE: Roller bearings, Tapered, Double row, O-arrangement, inch size, design 2 (FAG)



Technical specification

DIMENSIONS, MM

d	254,000
D	358,775
B	152,400
C	117,475

WEIGHT, KG

44,200

MANUFACTURER

[TIMKEN](#)

INTERCHANGE

FAG [505612](#)