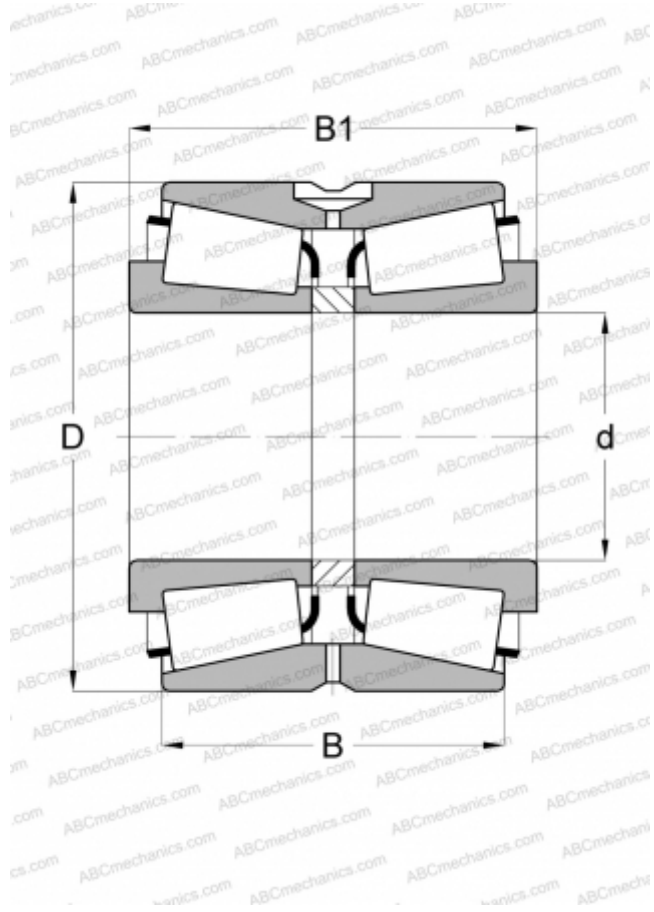


## 524440A FAG

Tapered roller bearings

TYPE: Roller bearings, Tapered, Double row, O-arrangement, inch size, design 2 (FAG)



### Technical specification

#### DIMENSIONS, MM

d	285,750
D	380,898
B	139,700
C	107,950

#### WEIGHT, KG

42,000

#### MANUFACTURER

[FAG](#)

#### INTERCHANGE

TIMKEN

[LM654649.610CD](#)