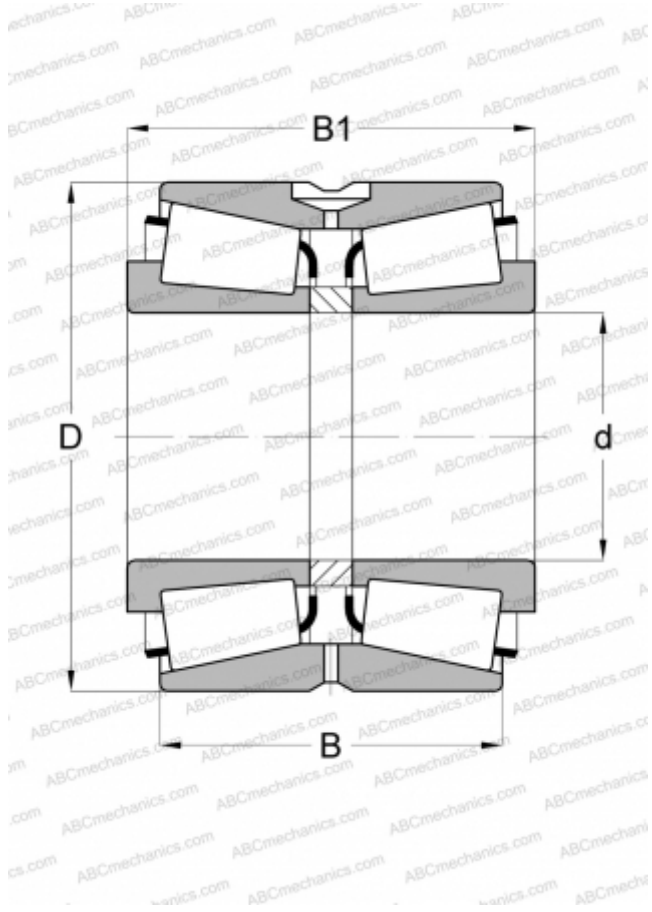


M255449.410CD TIMKEN

Tapered roller bearings

TYPE: Roller bearings, Tapered, Double row, O-arrangement, inch size, design 2 (FAG)



Technical specification

DIMENSIONS, MM

d	288,925
D	406,400
B	165,100
C	130,175

WEIGHT, KG

62,600

MANUFACTURER

[TIMKEN](#)

INTERCHANGE

FAG

[505614A](#)