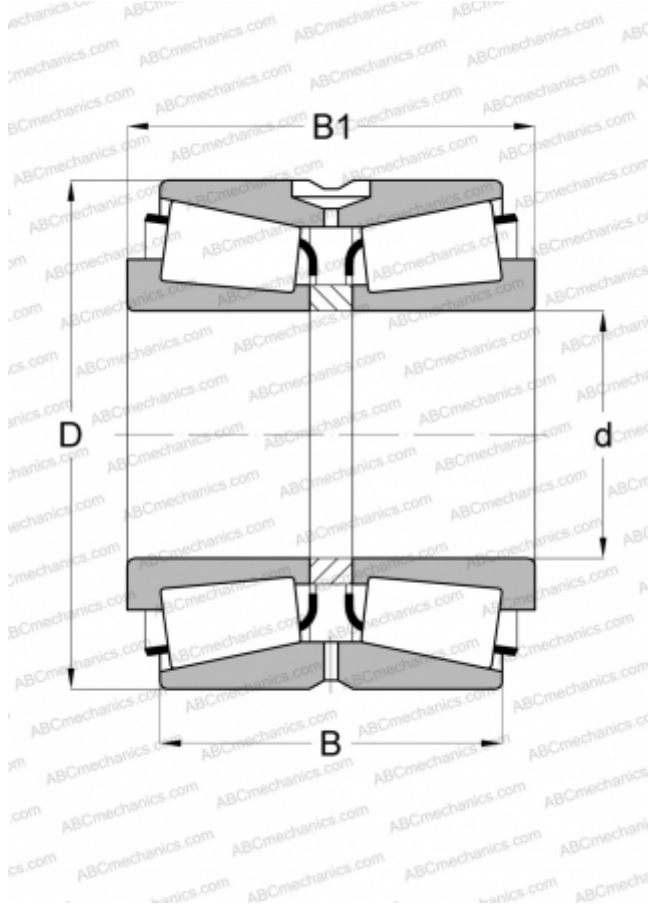


527128 FAG

Tapered roller bearings

TYPE: Roller bearings, Tapered, Double row, O-arrangement, inch size, design 2 (FAG)



Technical specification

DIMENSIONS, MM

d	304,800
D	438,048
B	165,100
C	120,650

WEIGHT, KG

73,800

MANUFACTURER

[FAG](#)

INTERCHANGE

TIMKEN

[EE129120X.173CD](#)