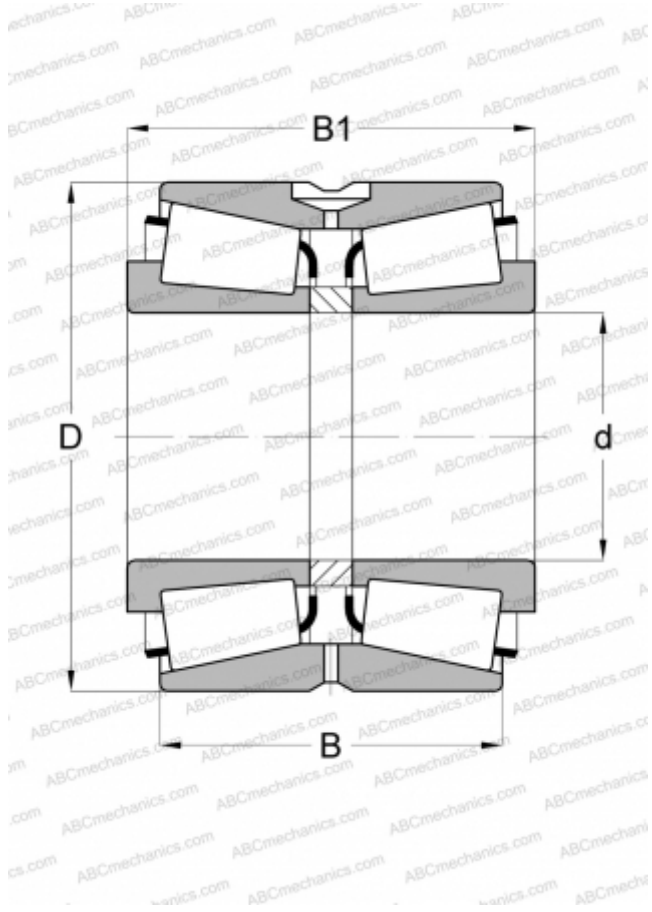


## 510607A FAG

Tapered roller bearings

TYPE: Roller bearings, Tapered, Double row, O-arrangement, inch size, design 2 (FAG)



### Technical specification

#### DIMENSIONS, MM

|   |         |
|---|---------|
| d | 317,500 |
| D | 447,675 |
| B | 180,975 |
| C | 146,050 |

#### WEIGHT, KG

85,000

#### MANUFACTURER

[FAG](#)

#### INTERCHANGE

TIMKEN

[HM259049.010CD](#)