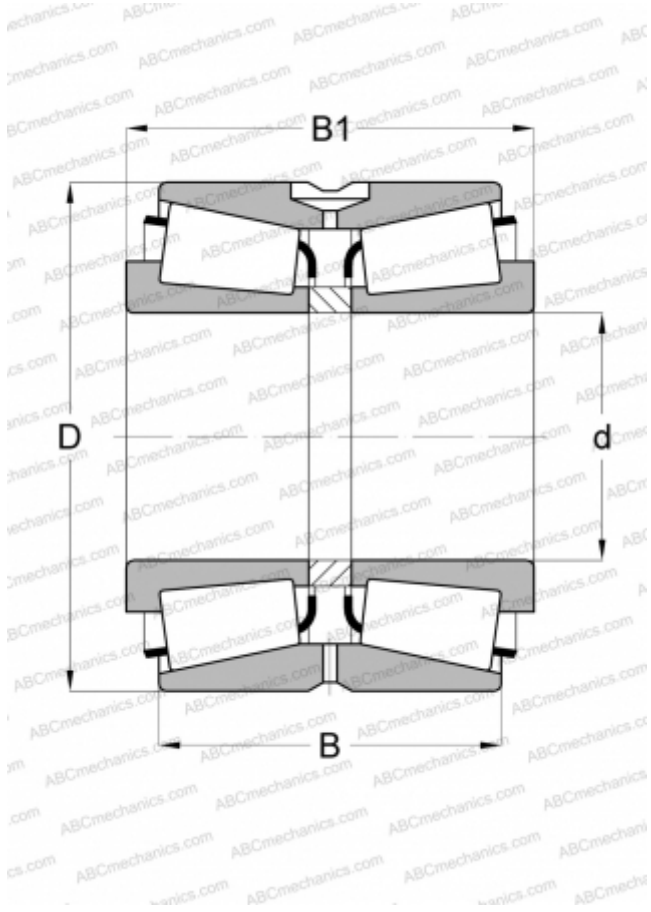


526831 FAG

Tapered roller bearings

TYPE: Roller bearings, Tapered, Double row, O-arrangement, inch size, design 2 (FAG)



Technical specification

DIMENSIONS, MM

d	333,375
D	469,900
B	190,500
C	152,400

WEIGHT, KG

97,800

MANUFACTURER

[FAG](#)

INTERCHANGE

TIMKEN

[HM261049.010CD](#)