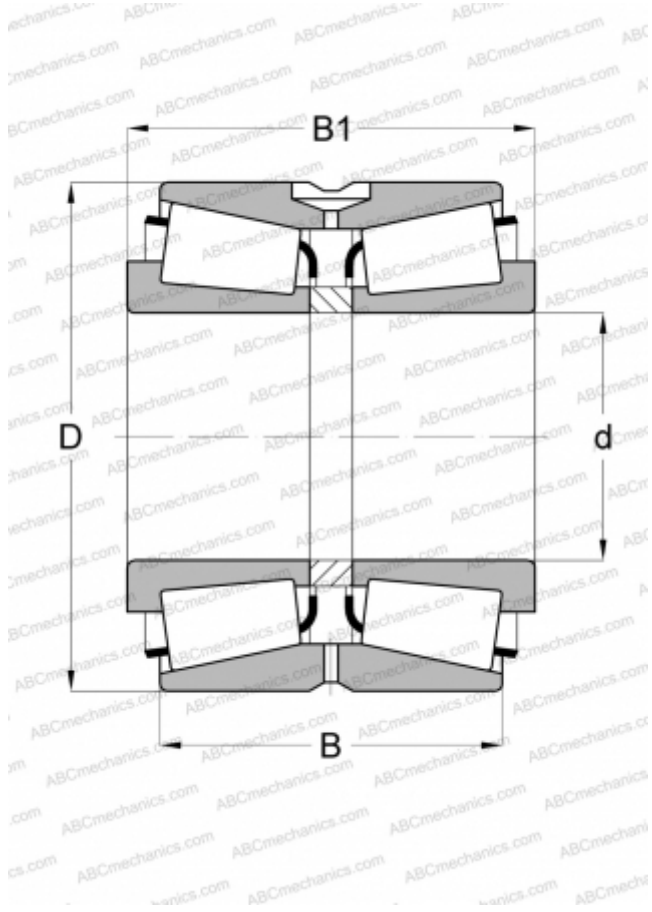


## HM261049.010CD TIMKEN

Tapered roller bearings

TYPE: Roller bearings, Tapered, Double row, O-arrangement, inch size, design 2 (FAG)



### Technical specification

#### DIMENSIONS, MM

d	333,375
D	469,900
B	190,500
C	152,400

#### WEIGHT, KG

97,800

#### MANUFACTURER

[TIMKEN](#)

#### INTERCHANGE

FAG	<a href="#">526831</a>
-----	------------------------