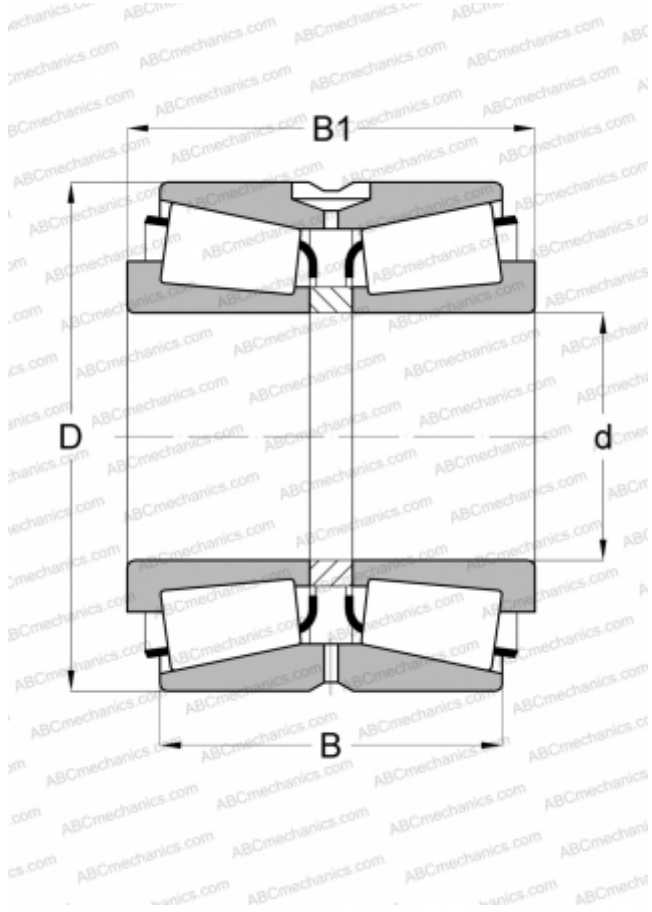


## 505613A FAG

Tapered roller bearings

TYPE: Roller bearings, Tapered, Double row, O-arrangement, inch size, design 2 (FAG)



### Technical specification

#### DIMENSIONS, MM

d	346,075
D	488,950
B	200,025
C	158,750

#### WEIGHT, KG

112,000

#### MANUFACTURER

[FAG](#)

#### INTERCHANGE

TIMKEN

[HM262749.710CD](#)