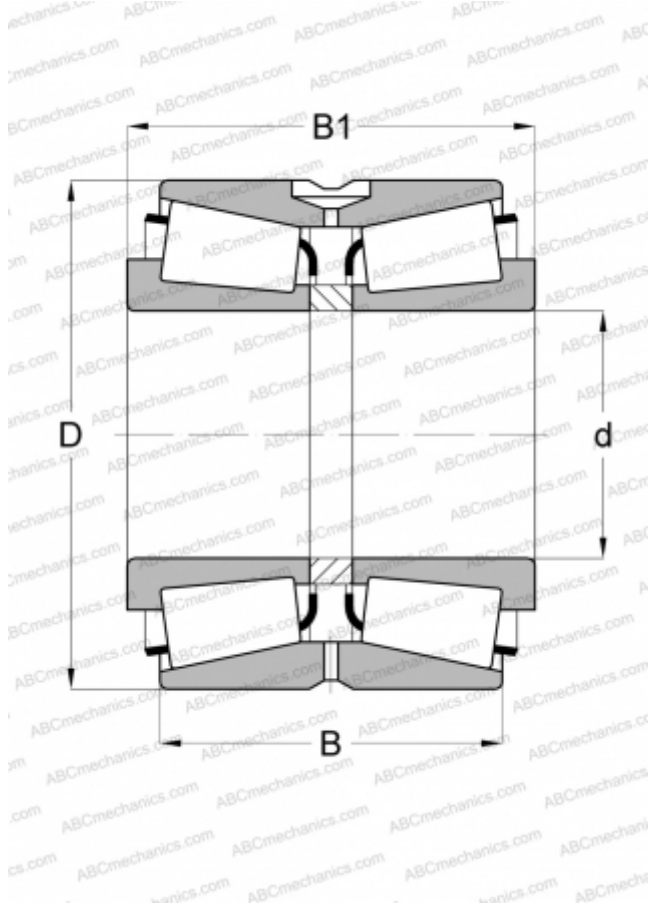


523319 FAG

Tapered roller bearings

TYPE: Roller bearings, Tapered, Double row, O-arrangement, inch size, design 2 (FAG)



Technical specification

DIMENSIONS, MM

d	355,600
D	444,500
B	136,525
C	111,125

WEIGHT, KG

45,000

MANUFACTURER

[FAG](#)

INTERCHANGE

TIMKEN

[L163149.110CD](#)