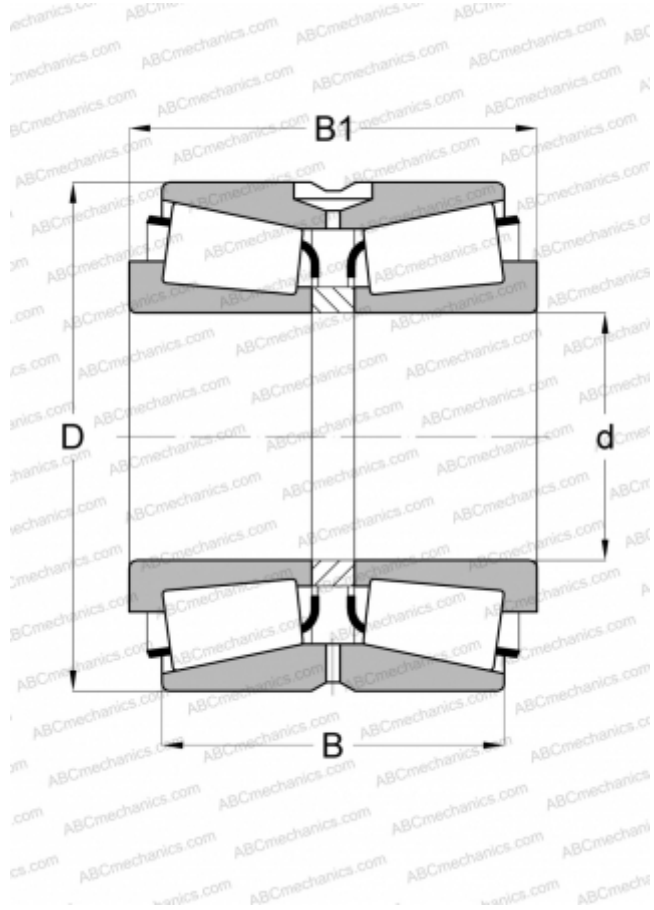


547099 FAG

Tapered roller bearings

TYPE: Roller bearings, Tapered, Double row, O-arrangement, inch size, design 2 (FAG)



Technical specification

DIMENSIONS, MM

d	381,000
D	590,550
B	244,475
C	193,675

WEIGHT, KG

238,000

MANUFACTURER

[FAG](#)

INTERCHANGE

TIMKEN

[M268730.710CD](#)