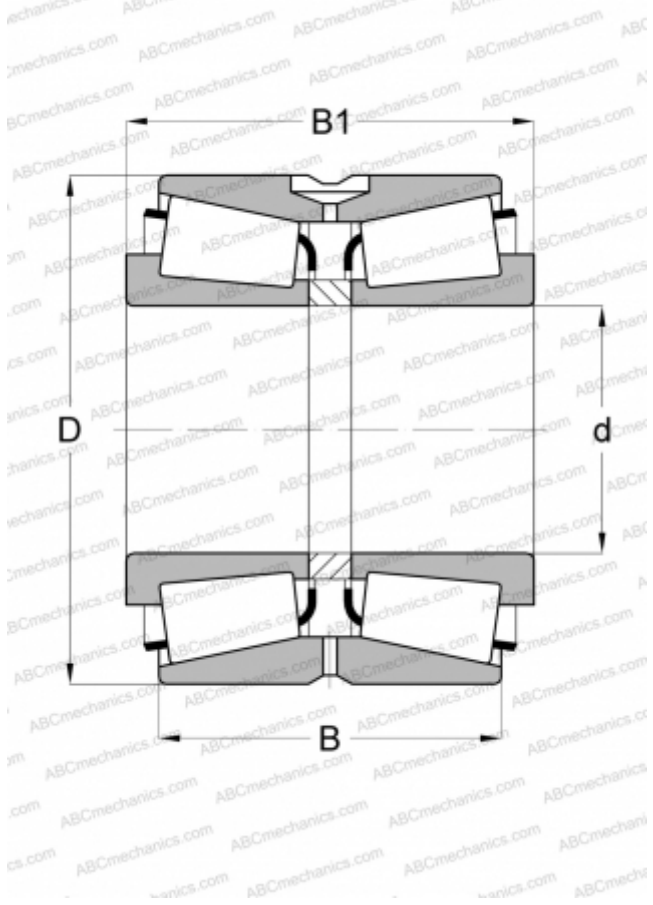


LM869448.410CD TIMKEN

Tapered roller bearings

TYPE: Roller bearings, Tapered, Double row, O-arrangement, inch size, design 2 (FAG)



Technical specification

DIMENSIONS, MM

d	431,800
D	571,500
B	155,575
C	111,125

WEIGHT, KG

95,500

MANUFACTURER

[TIMKEN](#)

INTERCHANGE

FAG	527127
-----	------------------------