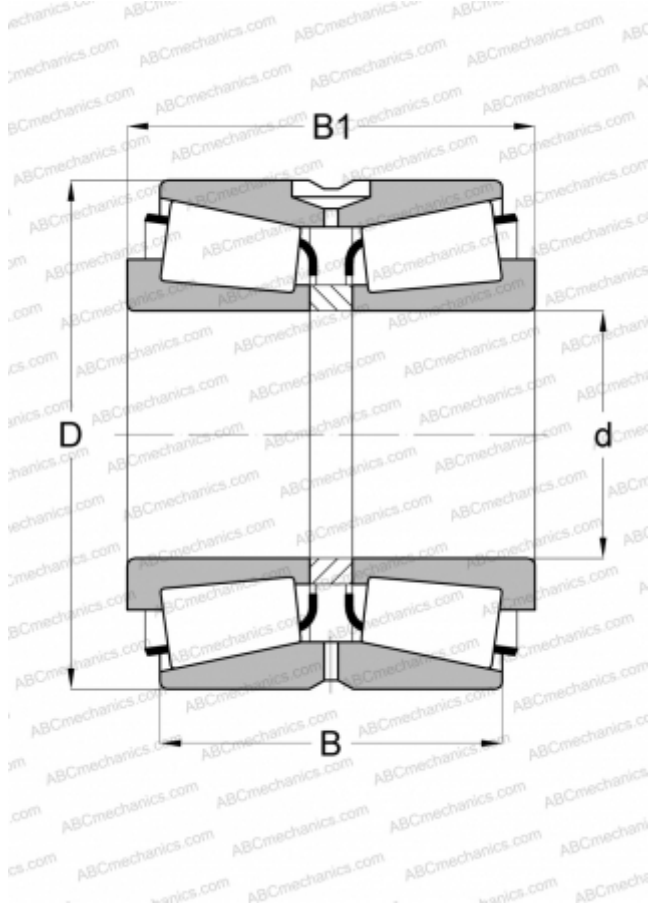


## 521467A FAG

Tapered roller bearings

TYPE: Roller bearings, Tapered, Double row, O-arrangement, inch size, design 2 (FAG)



### Technical specification

#### DIMENSIONS, MM

d	447,675
D	635,000
B	257,175
C	206,375

#### WEIGHT, KG

241,000

#### MANUFACTURER

[FAG](#)

#### INTERCHANGE

TIMKEN

[M270749.710CD](#)