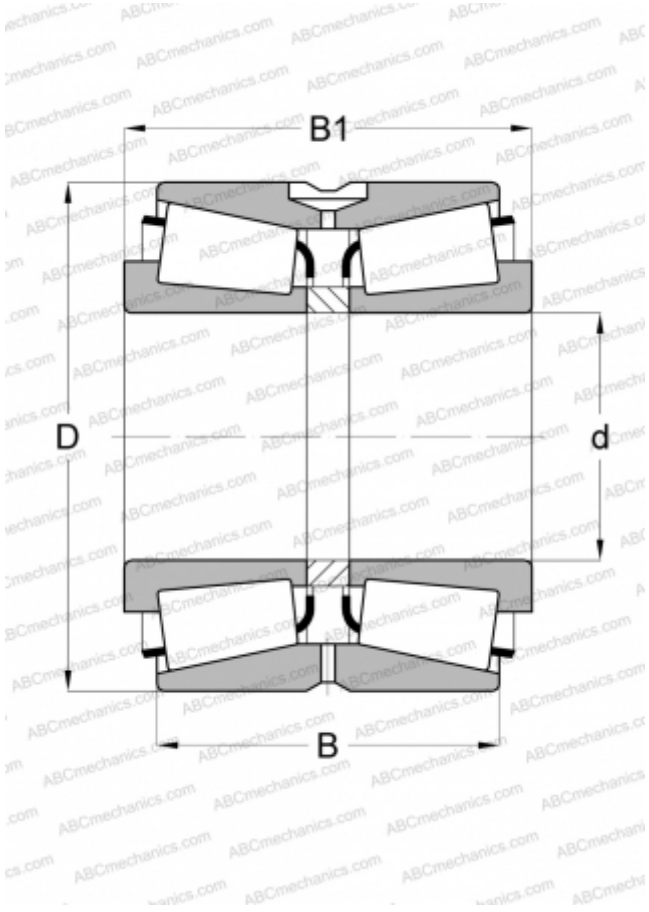


529635 FAG

Tapered roller bearings

TYPE: Roller bearings, Tapered, Double row, O-arrangement, inch size, design 2 (FAG)



Technical specification

DIMENSIONS, MM

d	457,200
D	596,900
B	165,100
C	120,650

WEIGHT, KG

107,000

MANUFACTURER

[FAG](#)

INTERCHANGE

TIMKEN

[EE244180.236CD](#)