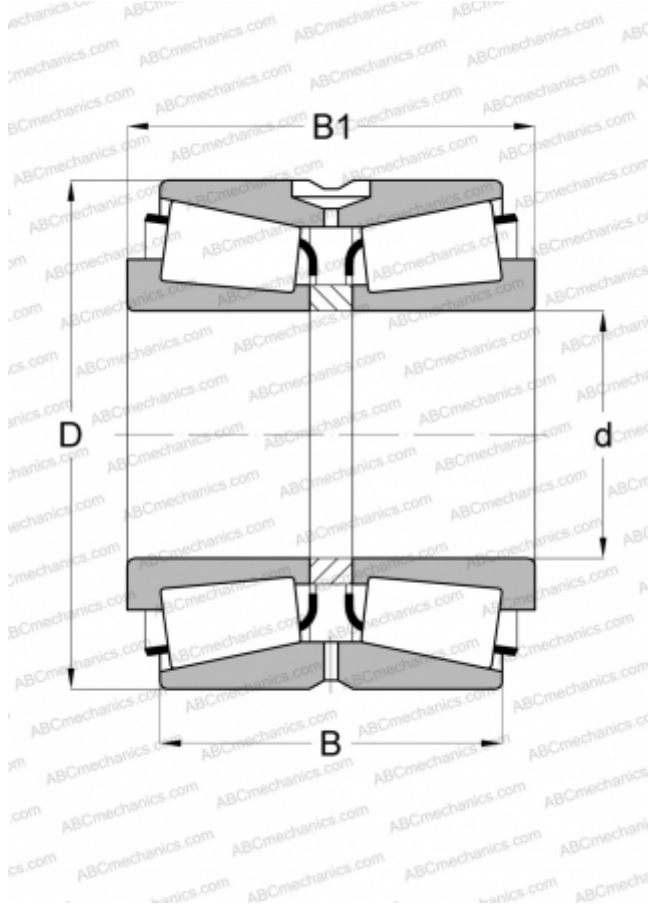


517499B FAG

Tapered roller bearings

TYPE: Roller bearings, Tapered, Double row, O-arrangement, inch size, design 2 (FAG)



Technical specification

DIMENSIONS, MM

d	479,425
D	679,450
B	276,225
C	222,250

WEIGHT, KG

296,000

MANUFACTURER

[FAG](#)

INTERCHANGE

TIMKEN

[M272749.710CD](#)