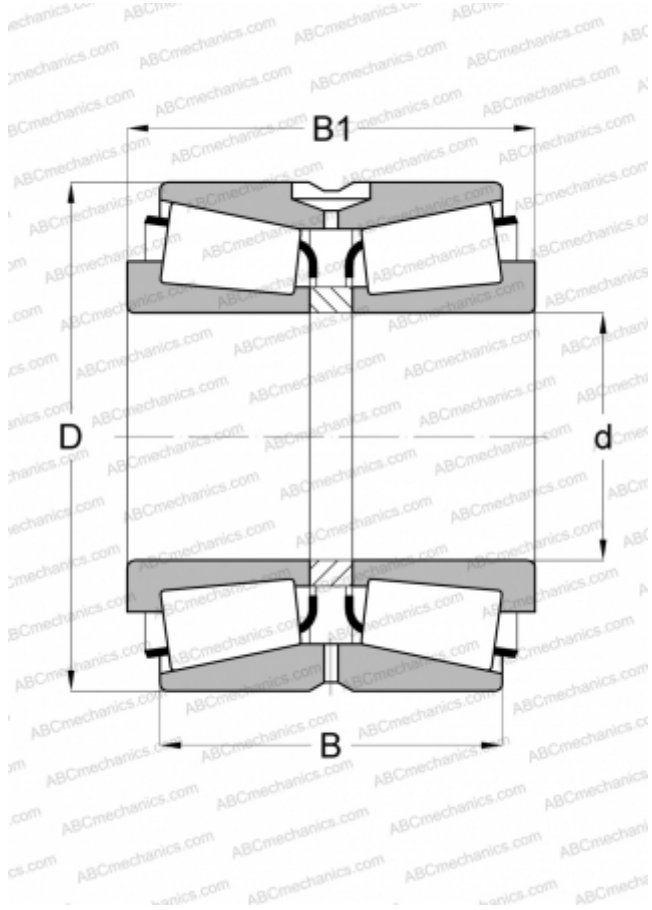


515917A FAG

Tapered roller bearings

TYPE: Roller bearings, Tapered, Double row, O-arrangement, inch size, design 2 (FAG)



Technical specification

DIMENSIONS, MM

d	488,950
D	634,873
B	180,975
C	136,525

WEIGHT, KG

135,000

MANUFACTURER

[FAG](#)

INTERCHANGE

TIMKEN

[LM772748.710CD](#)