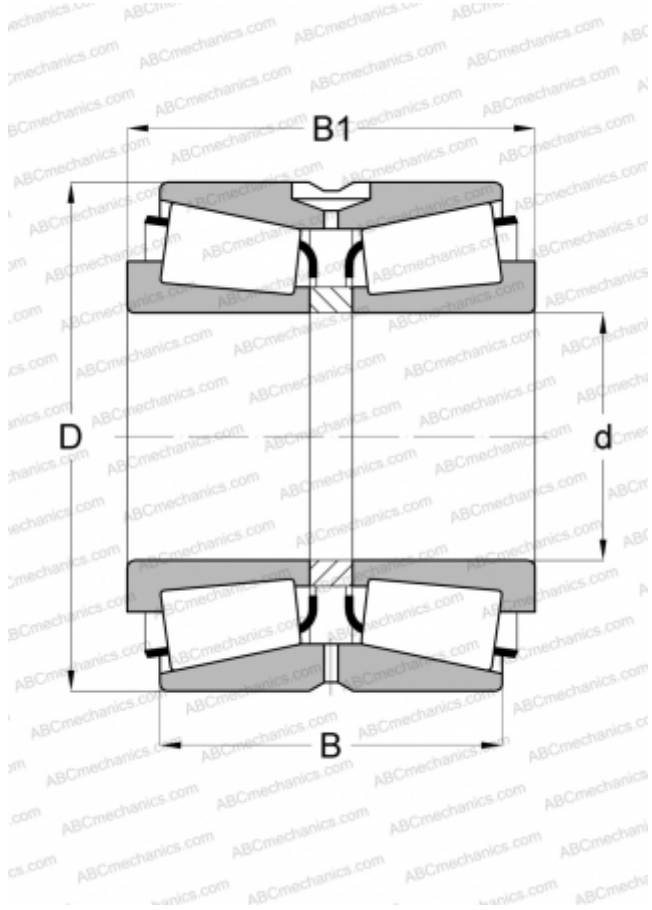


## 515127A FAG

Tapered roller bearings

TYPE: Roller bearings, Tapered, Double row, O-arrangement, inch size, design 2 (FAG)



### Technical specification

#### DIMENSIONS, MM

d	498,475
D	634,873
B	177,800
C	142,875

#### WEIGHT, KG

122,000

#### MANUFACTURER

[FAG](#)

#### INTERCHANGE

TIMKEN

[EE243196.251CD](#)