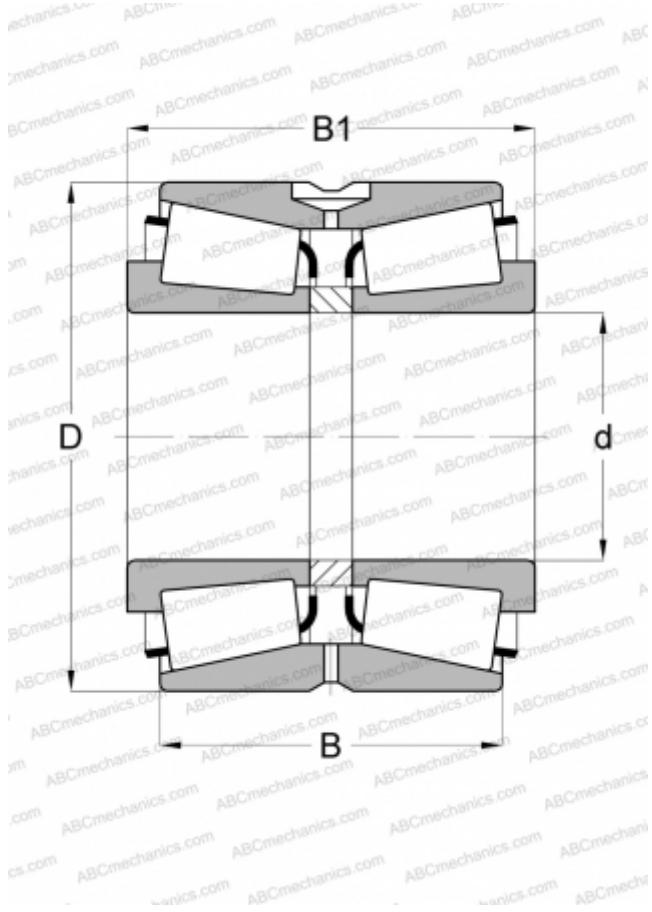


536948A FAG

Tapered roller bearings

TYPE: Roller bearings, Tapered, Double row, O-arrangement, inch size, design 2 (FAG)



Technical specification

DIMENSIONS, MM

d	558,800
D	736,600
B	187,328
C	138,112

WEIGHT, KG

190,000

MANUFACTURER

[FAG](#)

INTERCHANGE

TIMKEN

[EE843220.291CD](#)