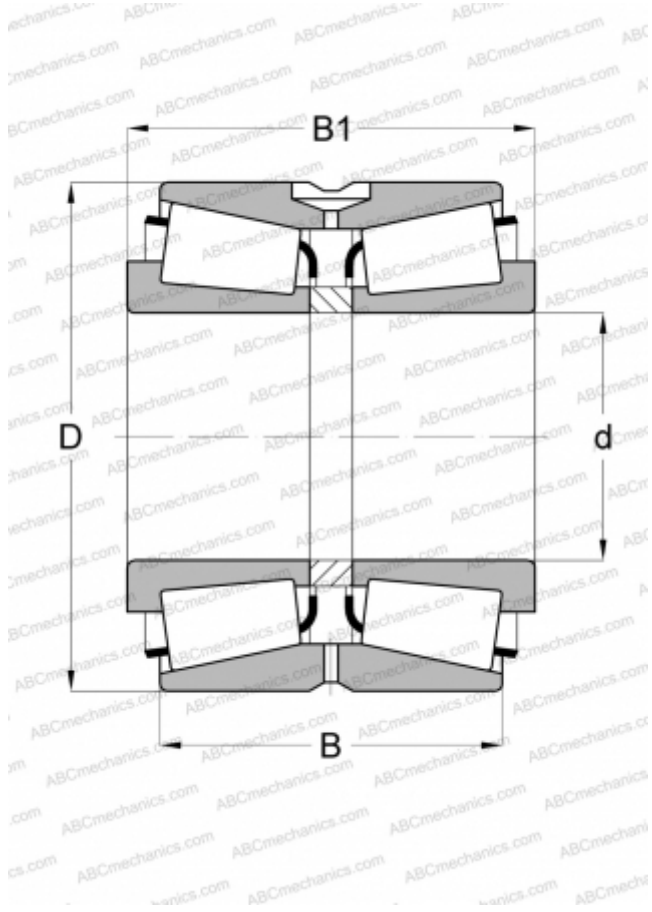


## LM377449.410CD TIMKEN

Tapered roller bearings

TYPE: Roller bearings, Tapered, Double row, O-arrangement, inch size, design 2 (FAG)



### Technical specification

#### DIMENSIONS, MM

d	558,800
D	736,600
B	225,425
C	177,800

#### WEIGHT, KG

244,000

#### MANUFACTURER

[TIMKEN](#)

#### INTERCHANGE

FAG	<a href="#">521229B</a>
-----	-------------------------