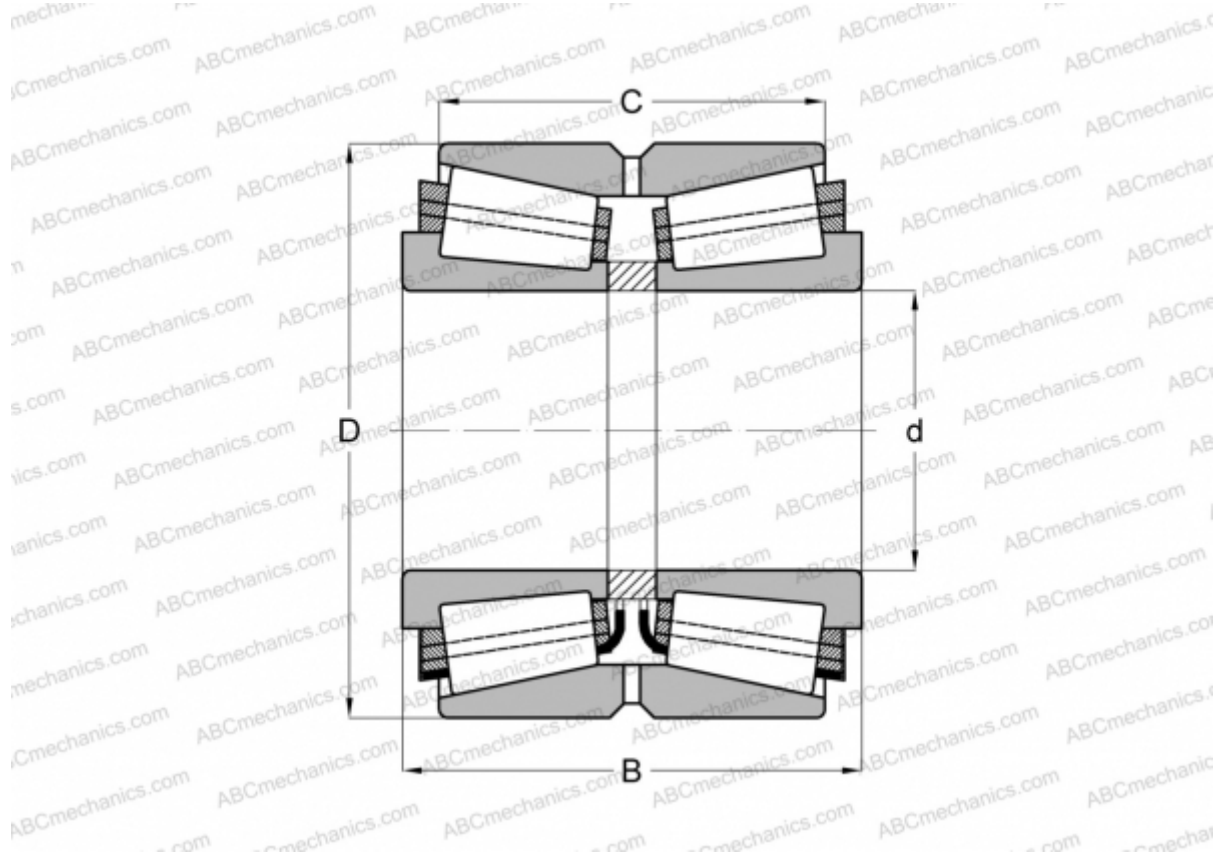


579097 FAG

Tapered roller bearings

TYPE: Roller bearings, Tapered, Double row, O-arrangement, inch size, design 3 (FAG)



Technical specification

DIMENSIONS, MM

d	447,675
D	635,000
B	257,175
C	206,375

WEIGHT, KG 251,000

MANUFACTURER [FAG](#)