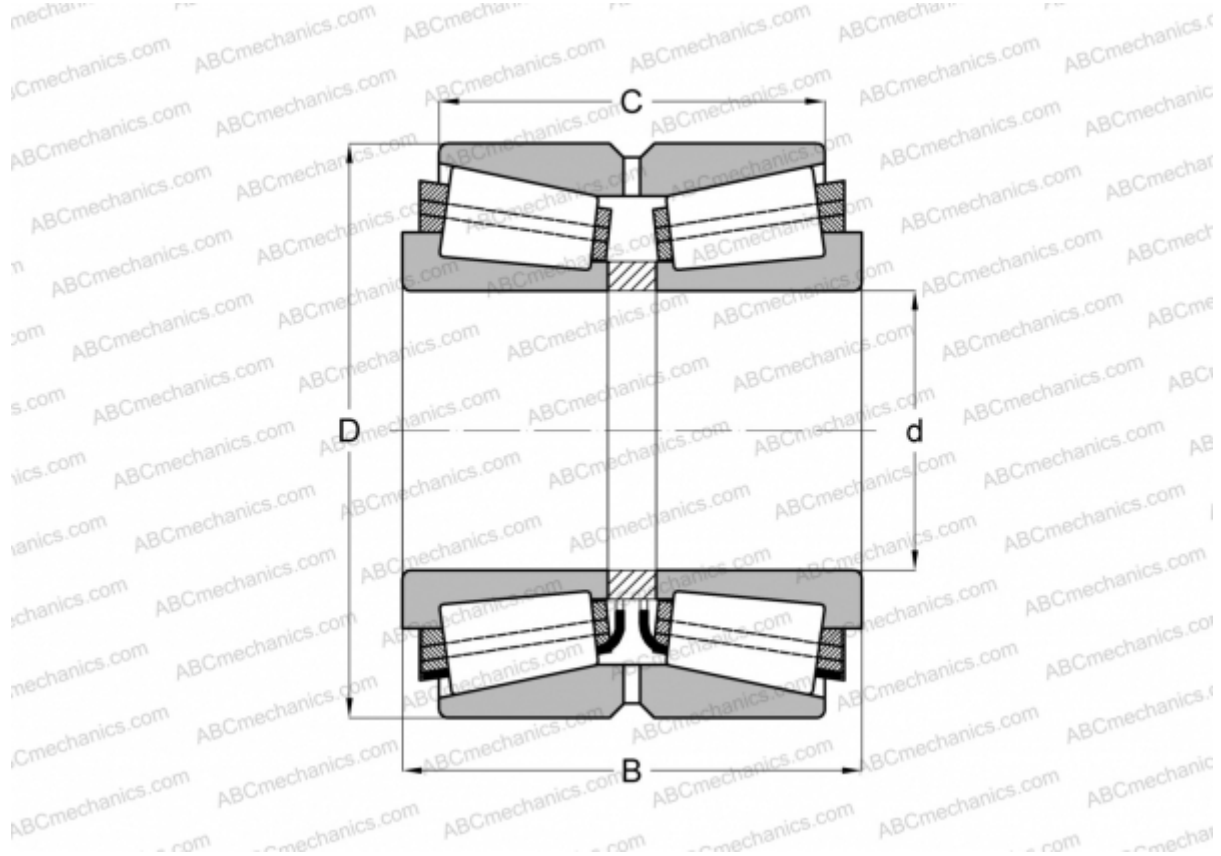


574101 FAG

Tapered roller bearings

TYPE: Roller bearings, Tapered, Double row, O-arrangement, inch size, design 3 (FAG)



Technical specification

DIMENSIONS, MM

| | |
|---|---------|
| d | 635,000 |
| D | 990,600 |
| B | 339,725 |
| C | 212,725 |

WEIGHT, KG 908,000

MANUFACTURER [FAG](#)