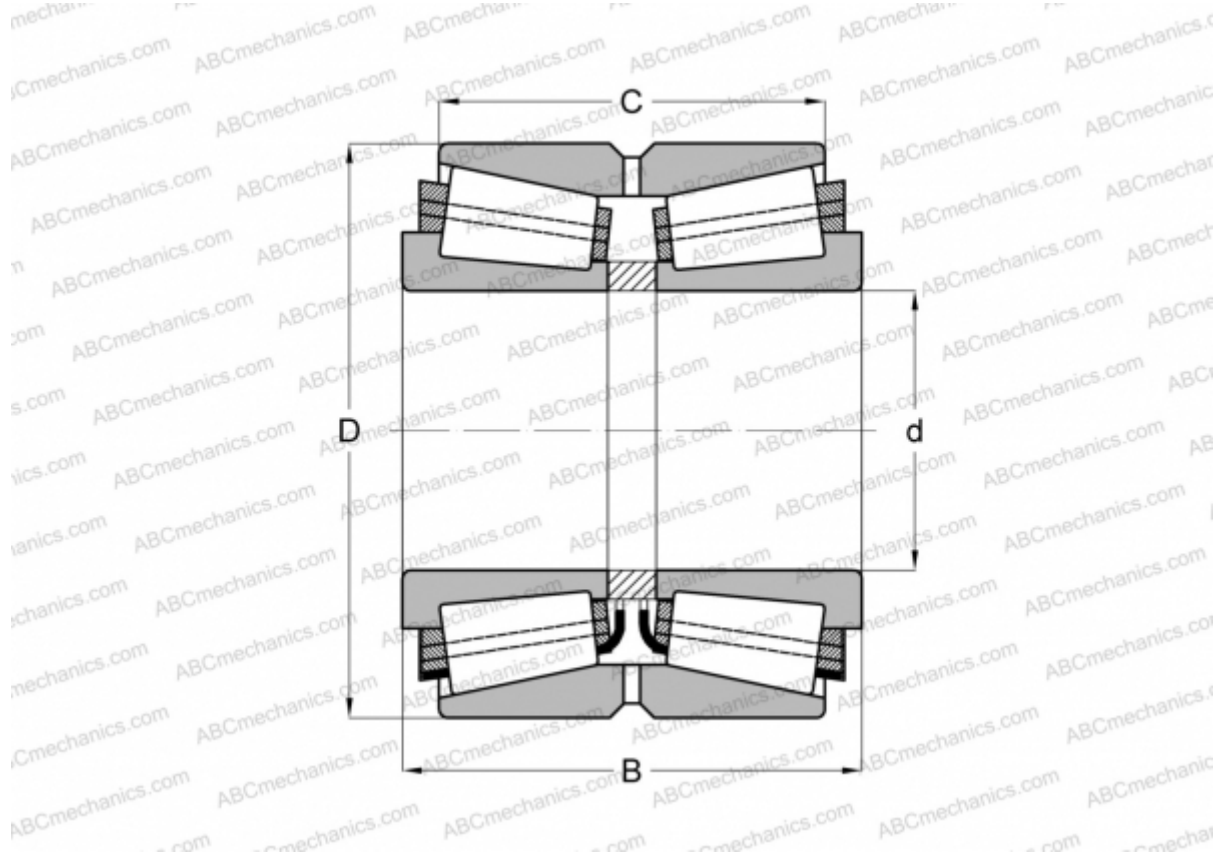


## 579534 FAG

Tapered roller bearings

TYPE: Roller bearings, Tapered, Double row, O-arrangement, inch size, design 3 (FAG)



### Technical specification

#### DIMENSIONS, MM

d	1160,000
D	1430,000
B	240,000
C	180,000

**WEIGHT, KG** 812,000

**MANUFACTURER** [FAG](#)