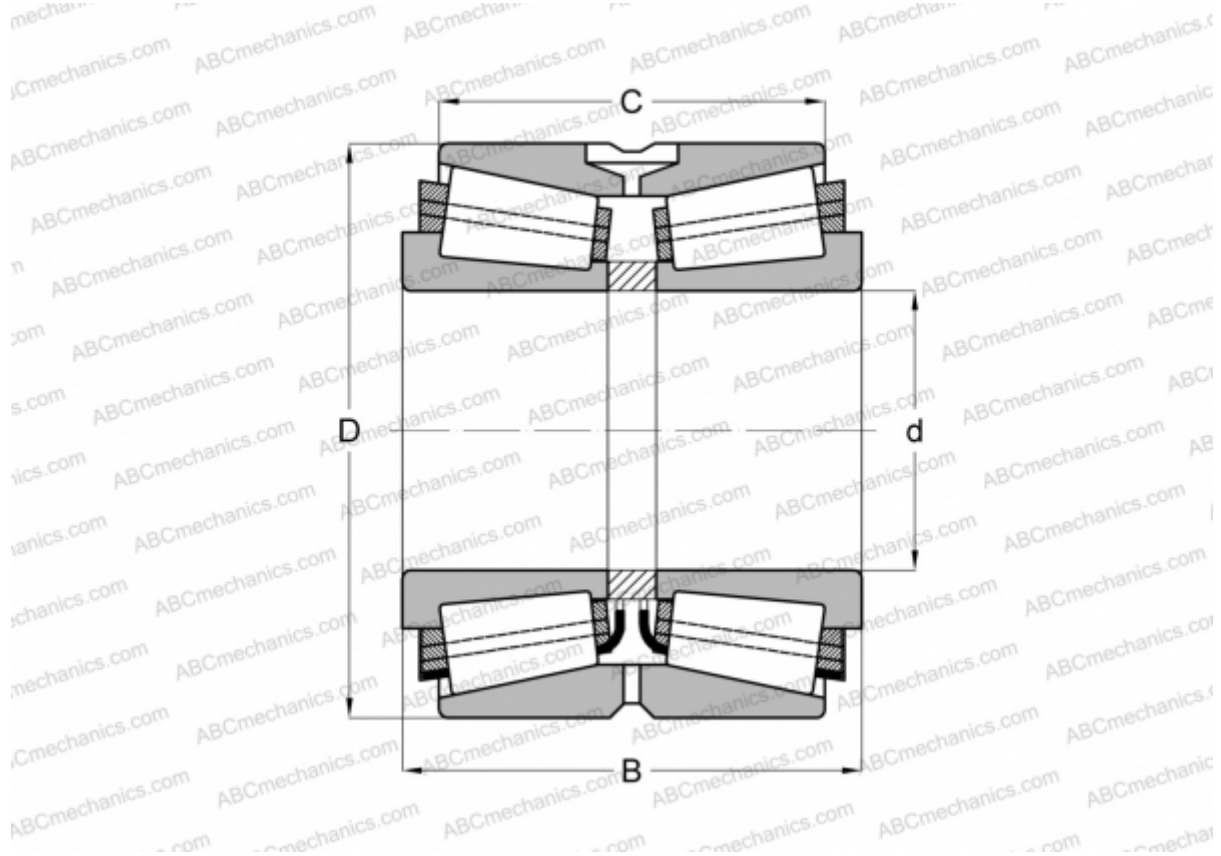


LM377449.410CD TIMKEN

Tapered roller bearings

TYPE: Roller bearings, Tapered, Double row, O-arrangement, inch size, design 4 (FAG)



Technical specification

DIMENSIONS, MM

d	558,800
D	736,600
B	225,425
C	177,800

WEIGHT, KG 255,000

MANUFACTURER [TIMKEN](#)

INTERCHANGE

FAG [541361](#)