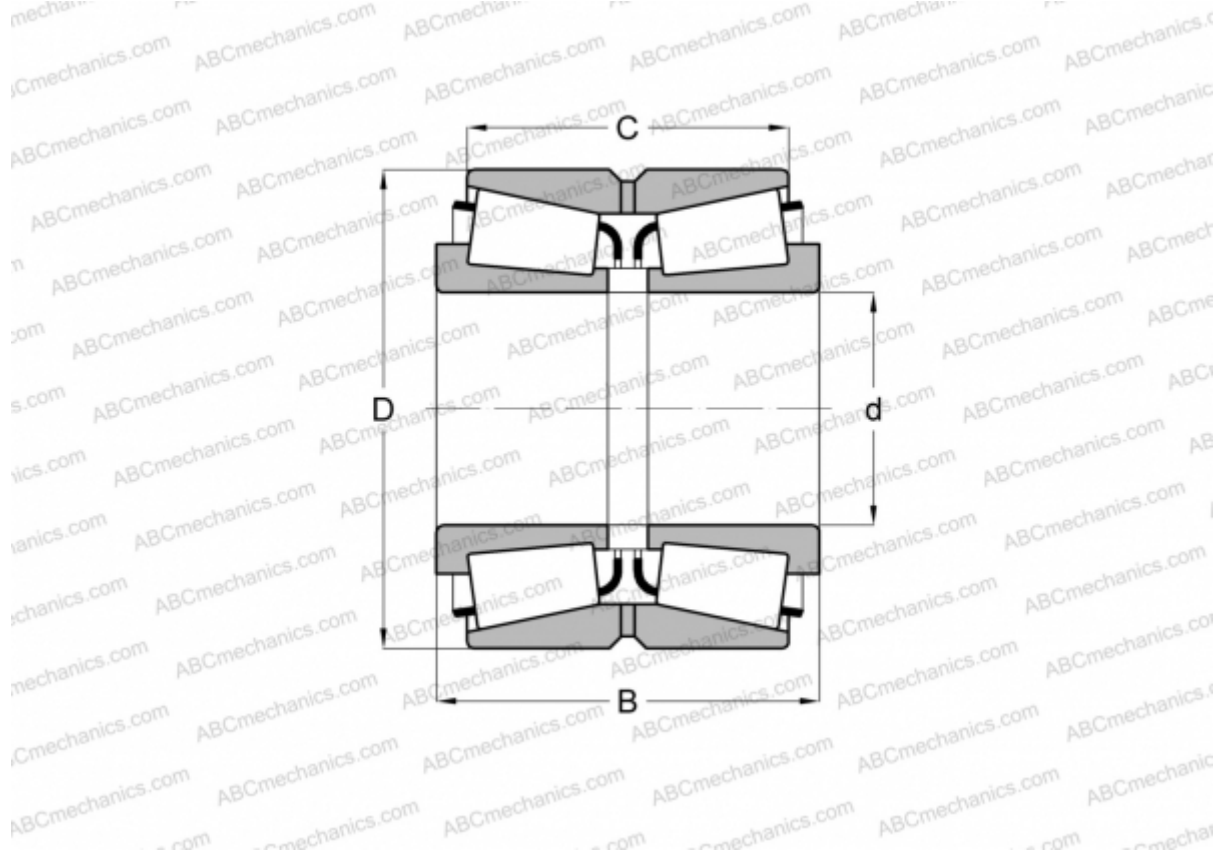


580871 FAG

Tapered roller bearings

TYPE: Roller bearings, Tapered, Double row, O-arrangement, metric size, design 1 (FAG)



Technical specification

DIMENSIONS, MM

d	220,000
D	370,000
B	200,000
C	166,000

MANUFACTURER

[FAG](#)