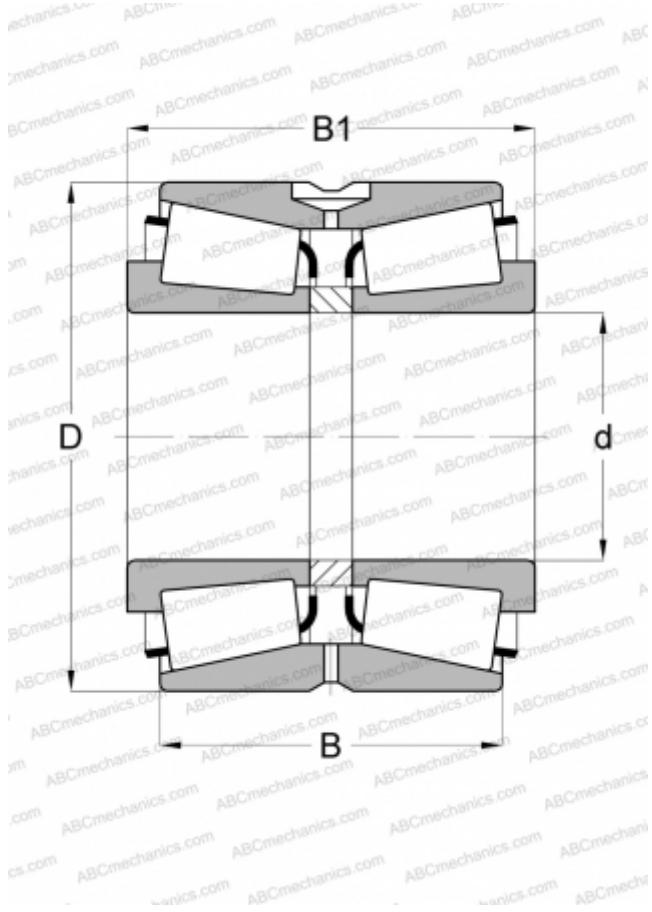


## 511985 FAG

Tapered roller bearings

TYPE: Roller bearings, Tapered, Double row, O-arrangement, metric size, design 2 (FAG)



### Technical specification

#### DIMENSIONS, MM

|   |         |
|---|---------|
| d | 240,000 |
| D | 360,000 |
| B | 165,000 |
| C | 130,000 |

#### WEIGHT, KG

58,500

#### MANUFACTURER

[FAG](#)