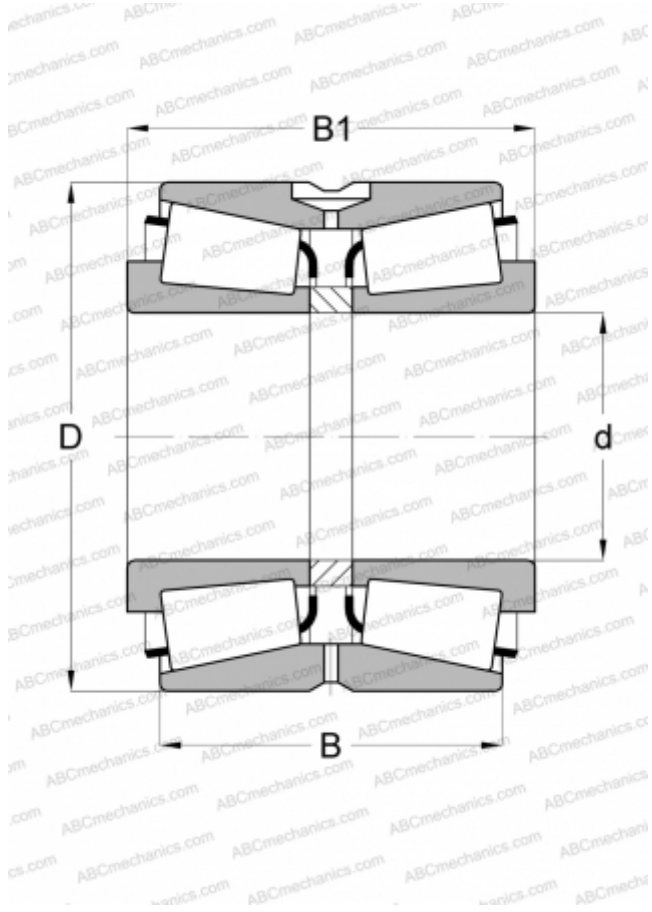


## 511988 FAG

Tapered roller bearings

TYPE: Roller bearings, Tapered, Double row, O-arrangement, metric size, design 2 (FAG)



### Technical specification

#### DIMENSIONS, MM

d	260,000
D	400,000
B	186,000
C	146,000

#### WEIGHT, KG

81,000

#### MANUFACTURER

[FAG](#)