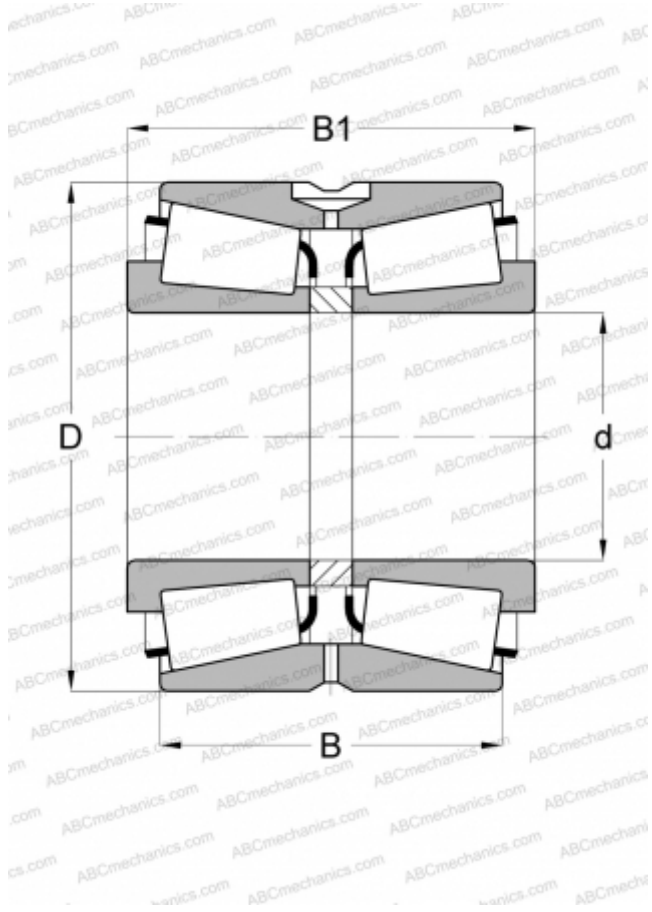


541912 FAG

Tapered roller bearings

TYPE: Roller bearings, Tapered, Double row, O-arrangement, metric size, design 2 (FAG)



Technical specification

DIMENSIONS, MM

d	490,000
D	640,000
B	180,000
C	144,000

WEIGHT, KG

141,000

MANUFACTURER

[FAG](#)