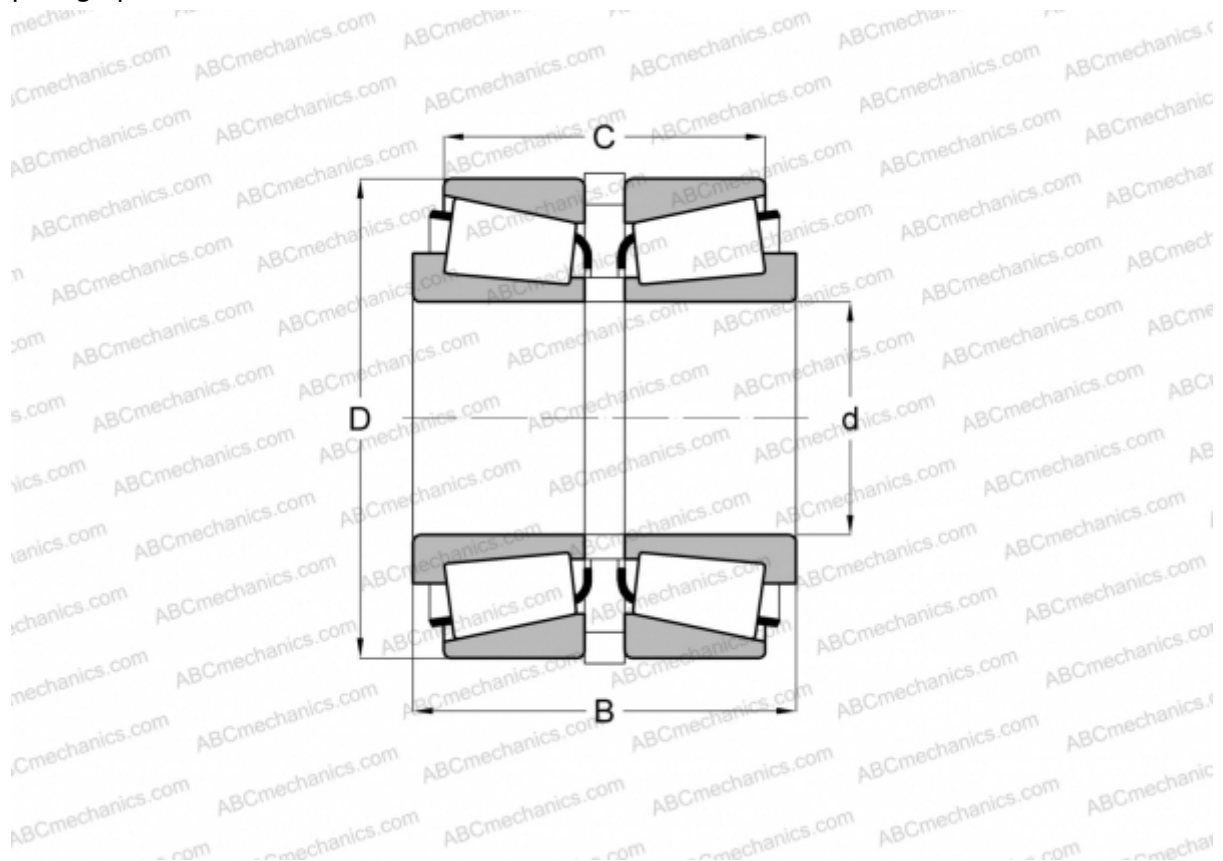


A4059/A4138 + X5SA4059/K524667R TIMKEN

Tapered roller bearings

TYPE: Roller bearings, Tapered, Tapered roller bearing assembly, Type 2S, two single-row assemblies with snap ring spacer



Technical specification

DIMENSIONS, MM

d	14,989
D	34,988
B	24,536
C	20,000

WEIGHT, KG 0,100

MANUFACTURER [TIMKEN](#)