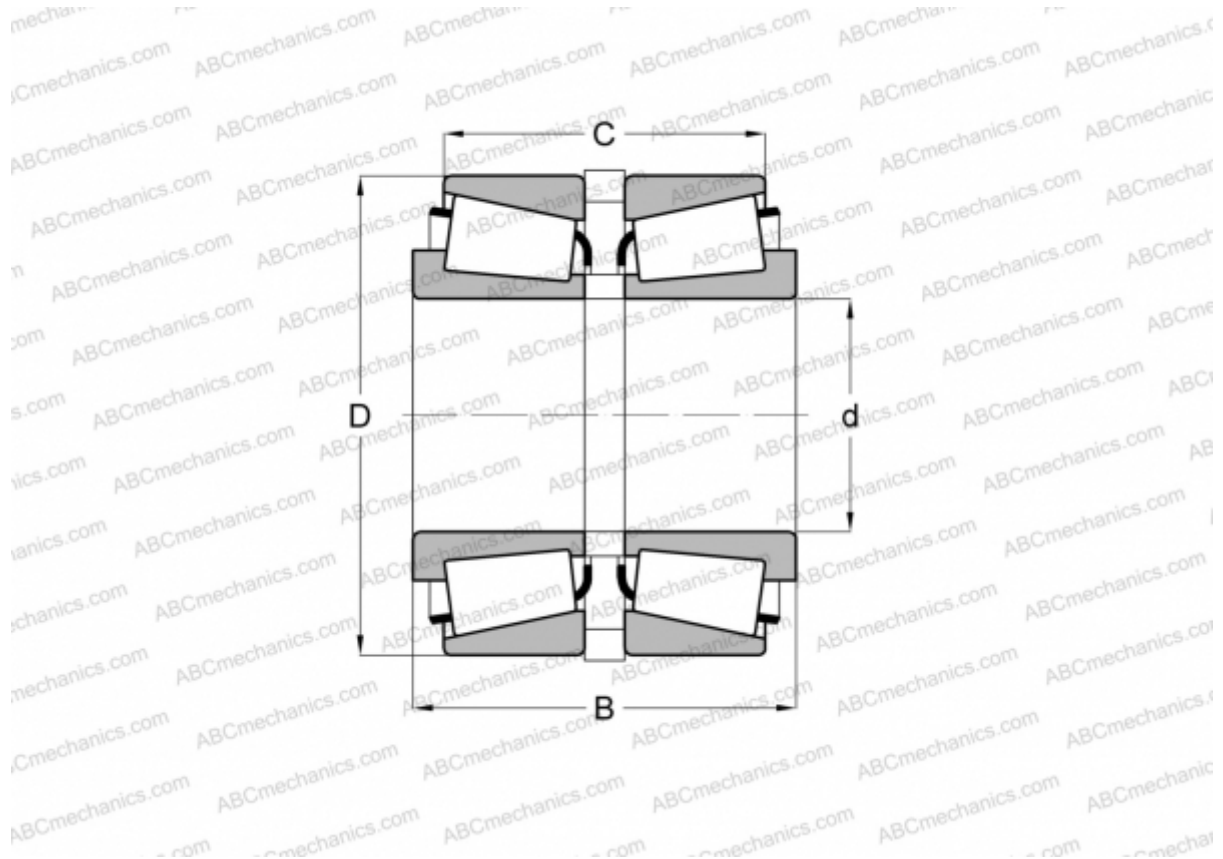


## L44643/L44610 + K106790R/K106789R

### TIMKEN

Tapered roller bearings

TYPE: Roller bearings, Tapered, Tapered roller bearing assembly, Type 2S, two single-row assemblies with snap ring spacer



### Technical specification

#### DIMENSIONS, MM

d	25,400
D	50,292
B	31,623
C	24,511

**WEIGHT, KG** 0,280

**MANUFACTURER** [TIMKEN](#)