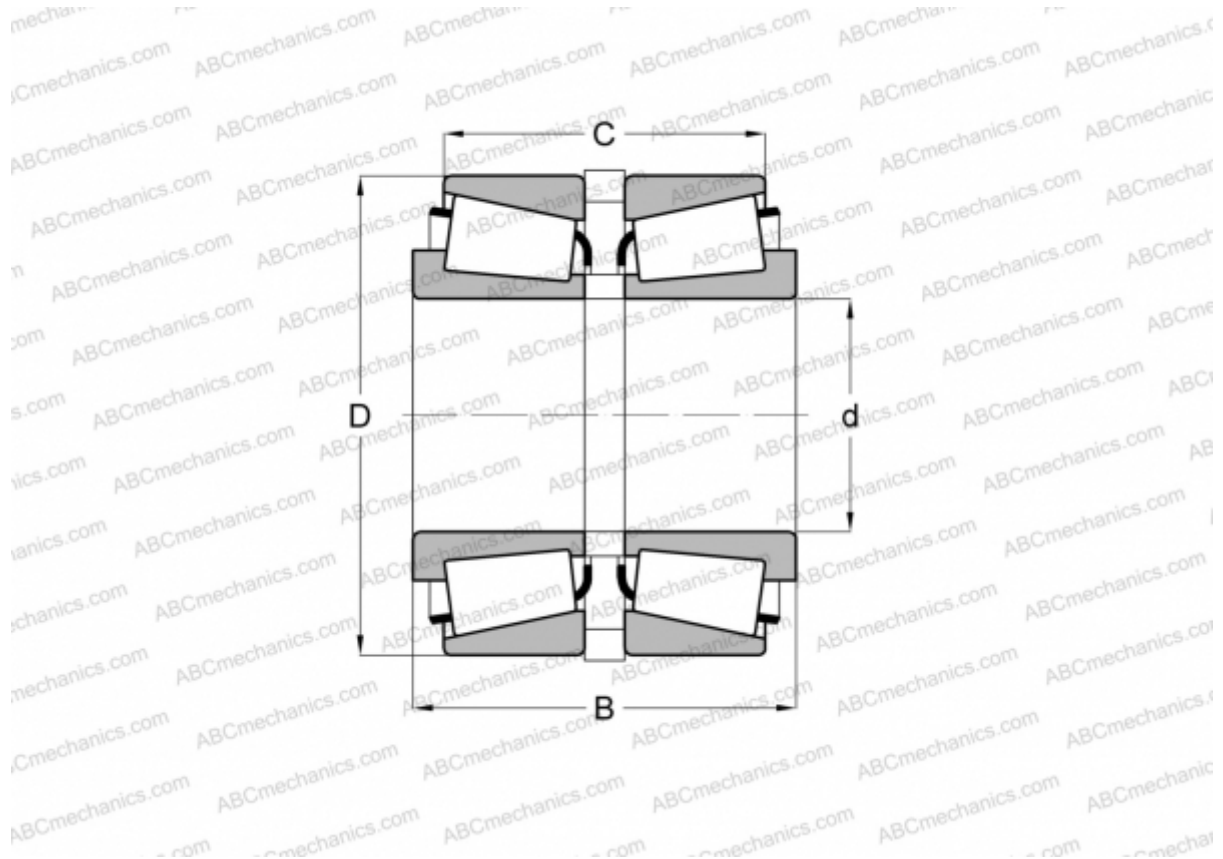


## M88048/M88010 + K147783R/K528895R

### TIMKEN

Tapered roller bearings

TYPE: Roller bearings, Tapered, Tapered roller bearing assembly, Type 2S, two single-row assemblies with snap ring spacer



### Technical specification

#### DIMENSIONS, MM

d	33,337
D	68,262
B	46,812
C	37,286

**WEIGHT, KG** 0,780

**MANUFACTURER** [TIMKEN](#)