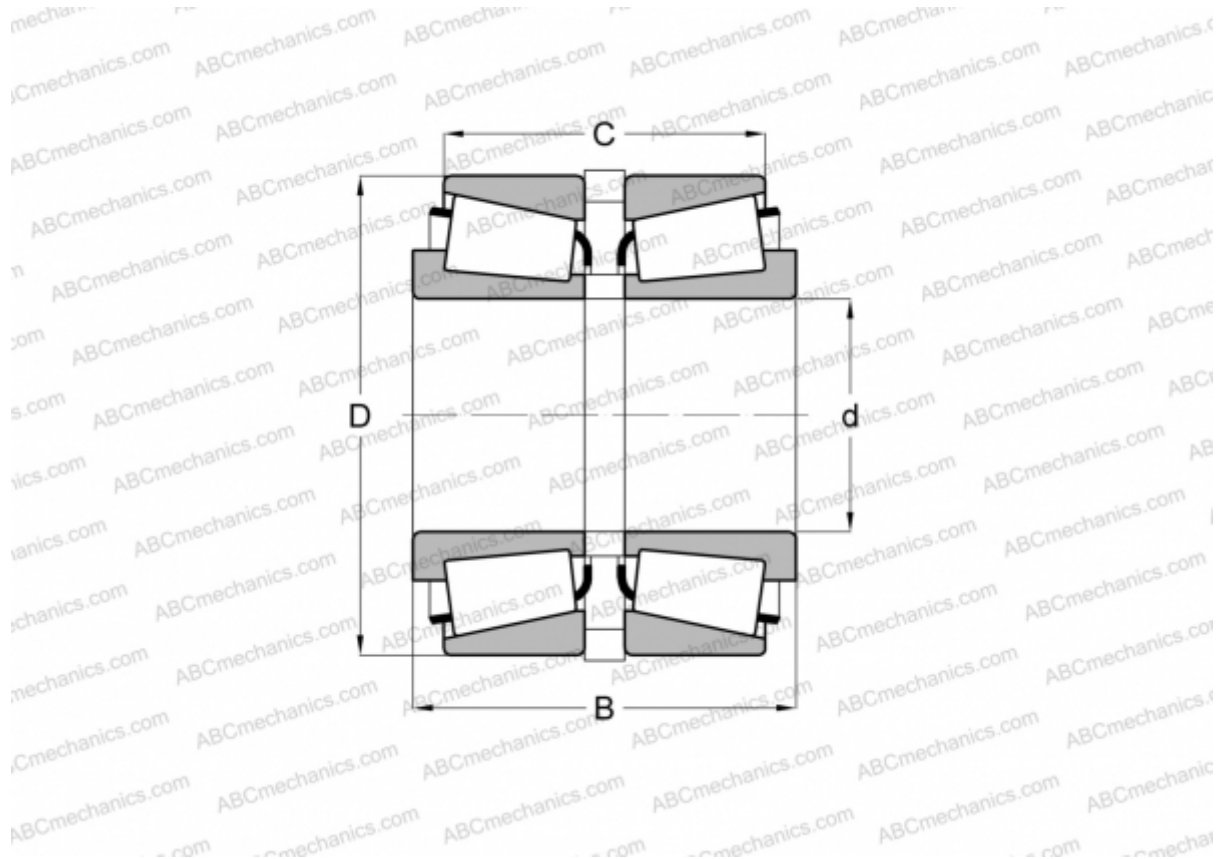


## HM88649/HM88610 + K152757/K152758

### TIMKEN

Tapered roller bearings

TYPE: Roller bearings, Tapered, Tapered roller bearing assembly, Type 2S, two single-row assemblies with snap ring spacer



### Technical specification

#### DIMENSIONS, MM

d	34,925
D	72,233
B	55,730
C	44,614

**WEIGHT, KG** 1,030

**MANUFACTURER** [TIMKEN](#)