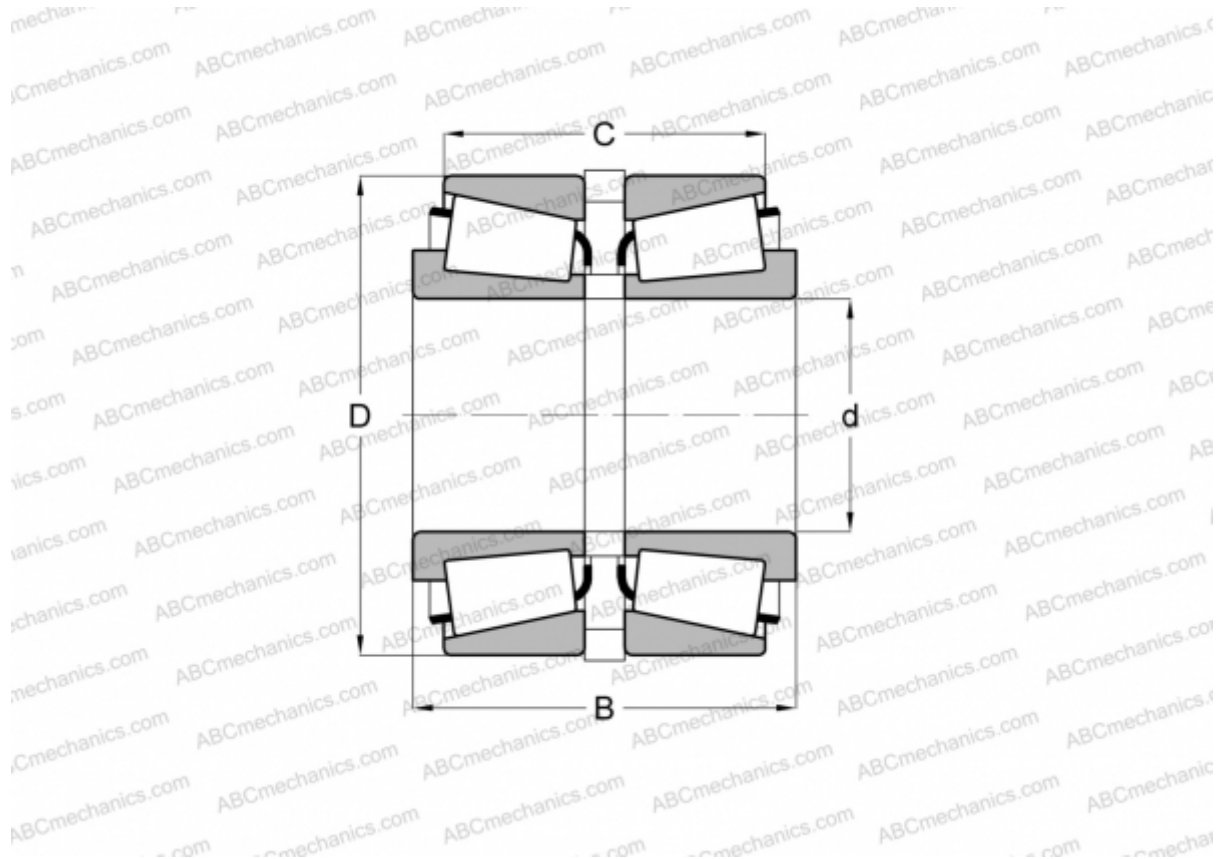


## LM501349/LM501310 + K426891R/K150486R

### TIMKEN

Tapered roller bearings

TYPE: Roller bearings, Tapered, Tapered roller bearing assembly, Type 2S, two single-row assemblies with snap ring spacer



### Technical specification

#### DIMENSIONS, MM

d	41,275
D	73,431
B	42,113
C	32,461

**WEIGHT, KG** 0,710

**MANUFACTURER** [TIMKEN](#)