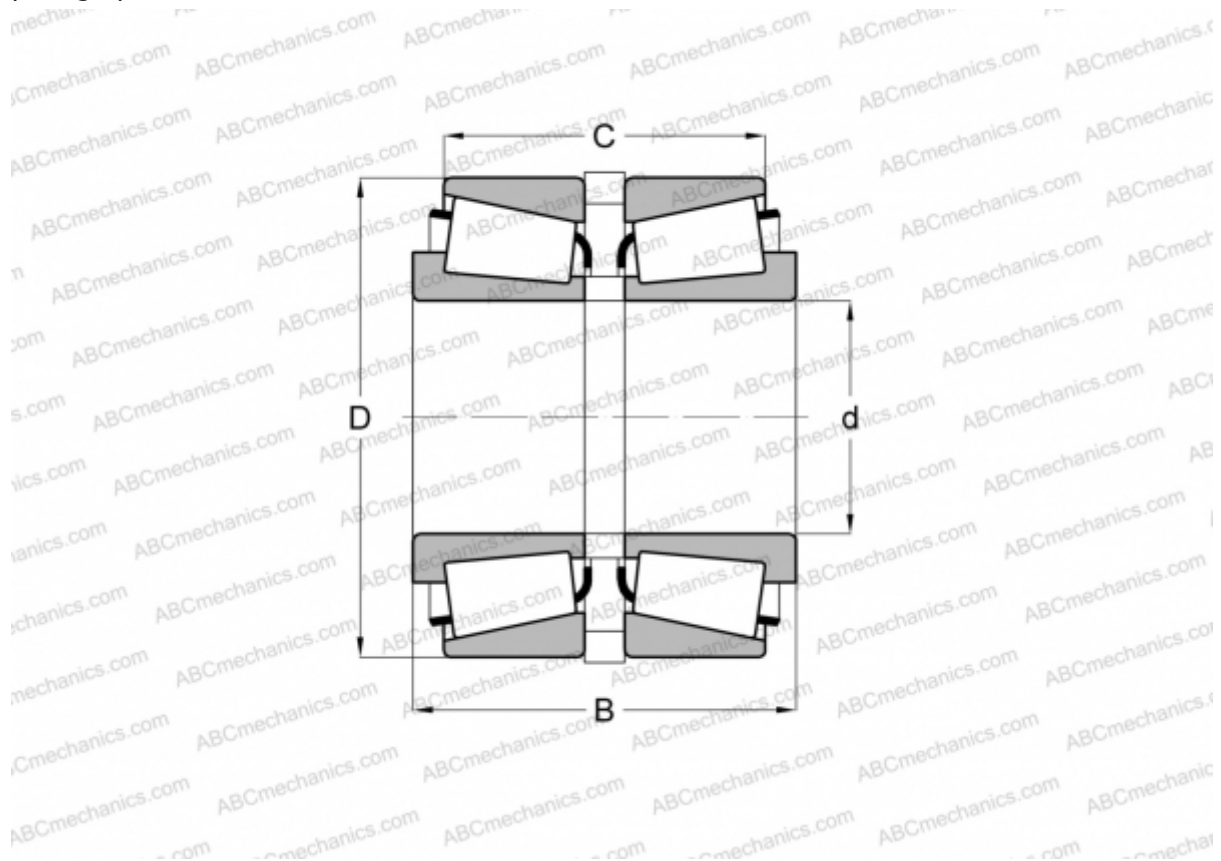


LM501349/LM501310 + K426891R/K426892R

TIMKEN

Tapered roller bearings

TYPE: Roller bearings, Tapered, Tapered roller bearing assembly, Type 2S, two single-row assemblies with snap ring spacer



Technical specification

DIMENSIONS, MM

d	41,275
D	73,431
B	42,672
C	33,020

WEIGHT, KG 0,720

MANUFACTURER [TIMKEN](#)